

iW-Interrupt Controller is designed to transfer the interrupt with highest priority to the CPU, along with interrupt address information.

### **Applications**

Used as Interrupt Controller Unit for 8080/85 and 8086/88/286 microprocessors

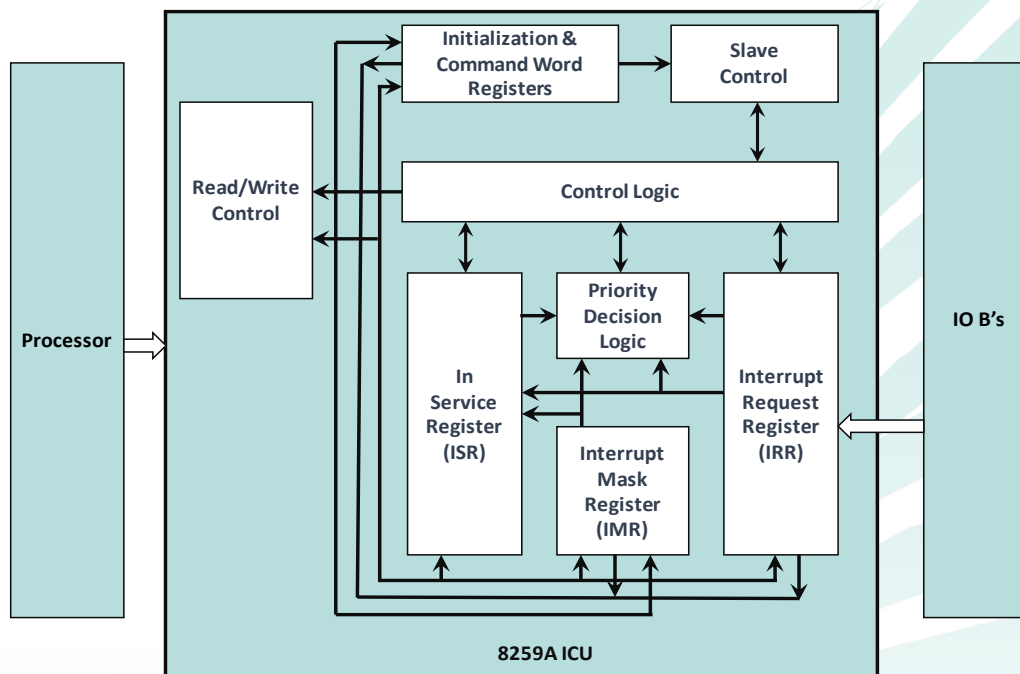
### **Highlights**

- Compatible with 8259A and uPD71059
- Two modes of operation make the controller compatible with 8080/85 and 8086/88/286 microprocessors
- Microcomputer system with I/O devices are serviced with efficient manner by using iW-8259A interrupt controller

### **Features**

- Eight interrupt request input per chip (INTP0 to INTP7).
- Up to 64 interrupt request inputs per system (Extended mode).
- Edge or level triggered interrupt request inputs.
- Individually maskable interrupt requests.
- Programmable interrupt request priority orders.
- Polling operation capability.
- Extended mode with cascade connection of external interrupts

**iW - 8259A ICU IP block diagram**



**Deliverables**

- RTL source code or Netlist
- IP example design
- IP datasheet
- Integration Manual

**Licensing Options**

- Non-Transferable: Single Project/Product Netlist License – Single Site or Multi Site
- Non-Transferable: Multi Project /Product Netlist License – Single Site or Multi Site
- Non-Transferable: Single Project/Product RTL Source Code License – Single Site or Multi Site
- Non-Transferable: Multi Project/Product RTL Source Code License – Single Site or Multi Site

**Technical Support**

iWave provides comprehensive support during your system integration & validation.

- The Client may open a new support incident by emailing to a technical support engineer
- iWave's response time shall be within 24 hours of the initial call, with the details of the action plan to resolve
- Support assistance shall be delivered by telephone, email and/or remote assistance via a web meeting
- iWave shall provide remote debugging support irrespective of the time zone/ region

iWave Systems, a leading FPGA design house enhances your design productivity by providing an extensive suite of proven, optimized and easy-to-use FPGA IP Cores along with reference designs to complement and quicken your applications development. Our extensive suite of IP Cores covers all key markets and applications. Along with the rich set of FPGA IP cores, iWave offers custom FPGA designs tailored to meet the client specifications which includes RTL Design, Integration of iWave's or 3rd Party IP Cores on our FPGA SOMs with Carrier Card/ Custom Hardware/ Off-the-Shelf Evaluation Kits to provide end-to-end solutions targeting Low-Power, High-Performance and Optimized Designs

**iW-8259A ICU FPGA IP**

The IP can be ordered online from the iWave Website <http://www.iwavesystems.com/product/8259a-interrupt-controller/>  
Or from our Local Partners in your region <http://www.iwavesystems.com/about-us/business-partner.html>

**INDIA**

iWave Systems Tech. Pvt. Ltd.,  
7/B, 29<sup>th</sup> Main, BTM Layout  
2<sup>nd</sup> Stage, Bangalore-560076  
Email: [mktg@iwavesystems.com](mailto:mktg@iwavesystems.com)

**JAPAN**

iWave Japan, Inc.  
8F-B, Kannai Sumiyoshi Building,  
3-29, Sumiyoshi-cho, Naka-ku,  
Yokohama, Kanagawa, Japan.  
[mktg@iwavesystems.com](mailto:mktg@iwavesystems.com)

**EUROPE**

International Sales & Marketing Europe  
Venkelbaan 55 2908KE Capelle  
aan den IJssel  
The Netherlands  
[info@iwavesystems.eu](mailto:info@iwavesystems.eu)

**USA**

iWave USA  
1692 Westmont Ave.,  
Campbell, CA95008  
USA  
[info@iwavesystems.us](mailto:info@iwavesystems.us)