

iW - Serial Controller is an USART based on 8251 with support for asynchronous communication only. This controller converts parallel data from the processor to serial data and transmit it and convert the serial received data into parallel data for the processor to read.

Highlights

- Compatible with 8251 and uPD71051
- Programmable baud rate generator

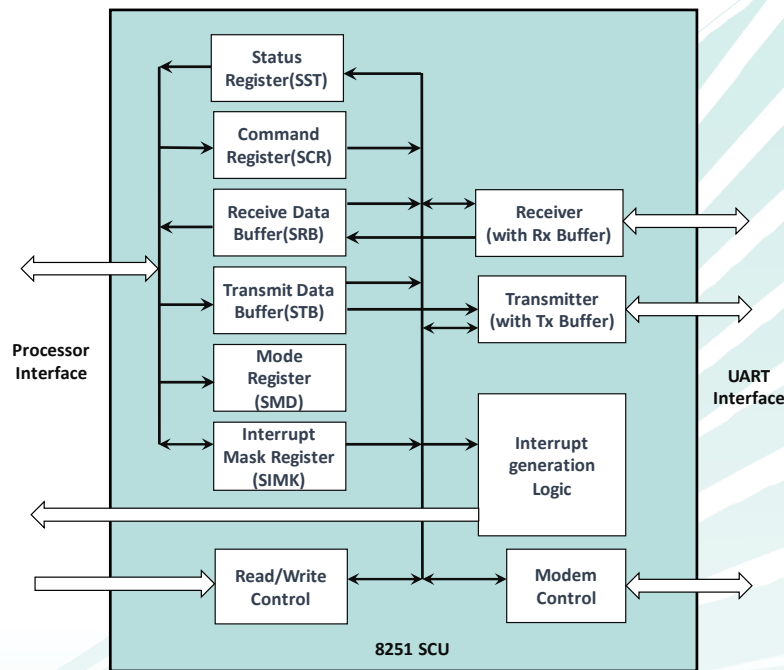
Applications

Used as Serial Controller Unit for 8080/85 and 8086/88/286 microprocessors

Features

- RS-232-C protocol support
- Asynchronous communication only
- Serial interrupt support
- Clock rates of baud rate of x16 or x64
- Character length of 7 or 8 bits
- 1 or 2 Stop bits
- Break transmission
- Automatic break detection
- Full duplex double buffer system
- Parity addition/checking
- Error detection for parity, overrun and framing errors

iW 8251 SCU IP block diagram



Deliverables

- RTL source code or Netlist
- IP example design
- IP datasheet
- Integration Manual

Licensing Options

- Non-Transferable: Single Project/Product Netlist License – Single Site or Multi Site
- Non-Transferable: Multi Project /Product Netlist License – Single Site or Multi Site
- Non-Transferable: Single Project/Product RTL Source Code License – Single Site or Multi Site
- Non-Transferable: Multi Project/Product RTL Source Code License – Single Site or Multi Site

Technical Support

iWave provides comprehensive support during your system integration & validation.

- The Client may open a new support incident by emailing to a technical support engineer
- iWave's response time shall be within 24 hours of the initial call, with the details of the action plan to resolve
- Support assistance shall be delivered by telephone, email and/or remote assistance via a web meeting
- iWave shall provide remote debugging support irrespective of the time zone/ region

iWave Systems, a leading FPGA design house enhances your design productivity by providing an extensive suite of proven, optimized and easy-to-use FPGA IP Cores along with reference designs to complement and quicken your applications development. Our extensive suite of IP Cores covers all key markets and applications. Along with the rich set of FPGA IP cores, iWave offers custom FPGA designs tailored to meet the client specifications which includes RTL Design, Integration of iWave's or 3rd Party IP Cores on our FPGA SOMs with Carrier Card/ Custom Hardware/ Off-the-Shelf Evaluation Kits to provide end-to-end solutions targeting Low-Power, High-Performance and Optimized Designs

iW-8251 SCU FPGA IP

The IP can be ordered online from the iWave Website <http://www.iwavesystems.com/product/8251-serial-controller/>
Or from our Local Partners in your region <http://www.iwavesystems.com/about-us/business-partner.html>

INDIA

iWave Systems Tech. Pvt. Ltd.,
7/B, 29th Main, BTM Layout
2nd Stage, Bangalore-560076
Email: mktg@iwavesystems.com

JAPAN

iWave Japan, Inc.
8F-B, Kannai Sumiyoshi Building,
3-29, Sumiyoshi-cho, Naka-ku,
Yokohama, Kanagawa, Japan.
mktg@iwavesystems.com

EUROPE

International Sales & Marketing Europe
Venkelbaan 55 2908KE Capelle
aan den IJssel
The Netherlands
info@iwavesystems.eu

USA

iWave USA
1692 Westmont Ave.,
Campbell, CA95008
USA
info@iwavesystems.us