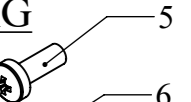
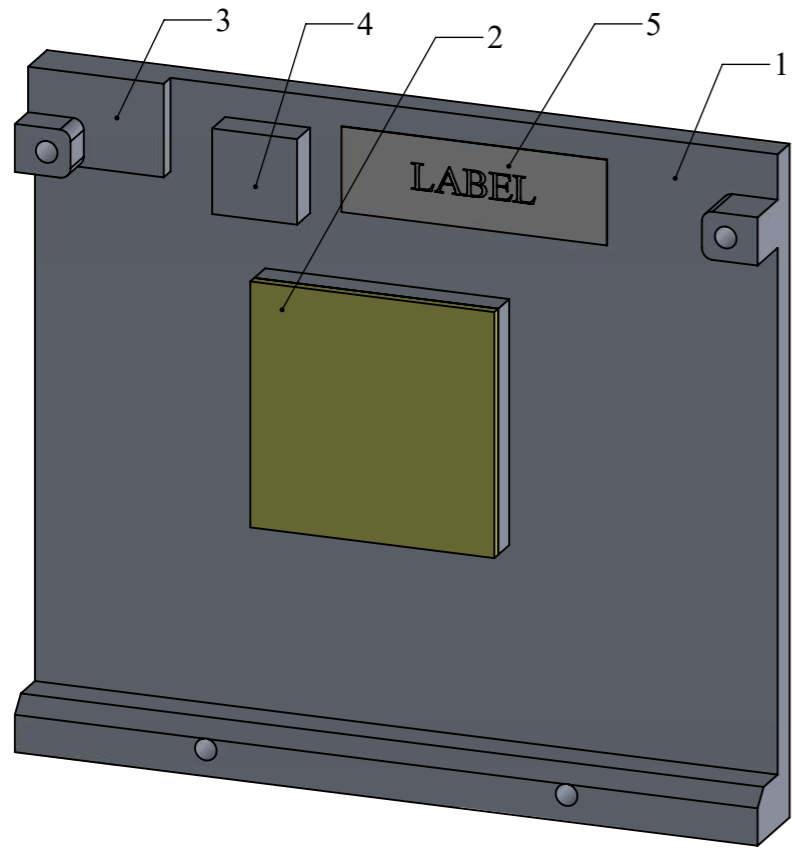
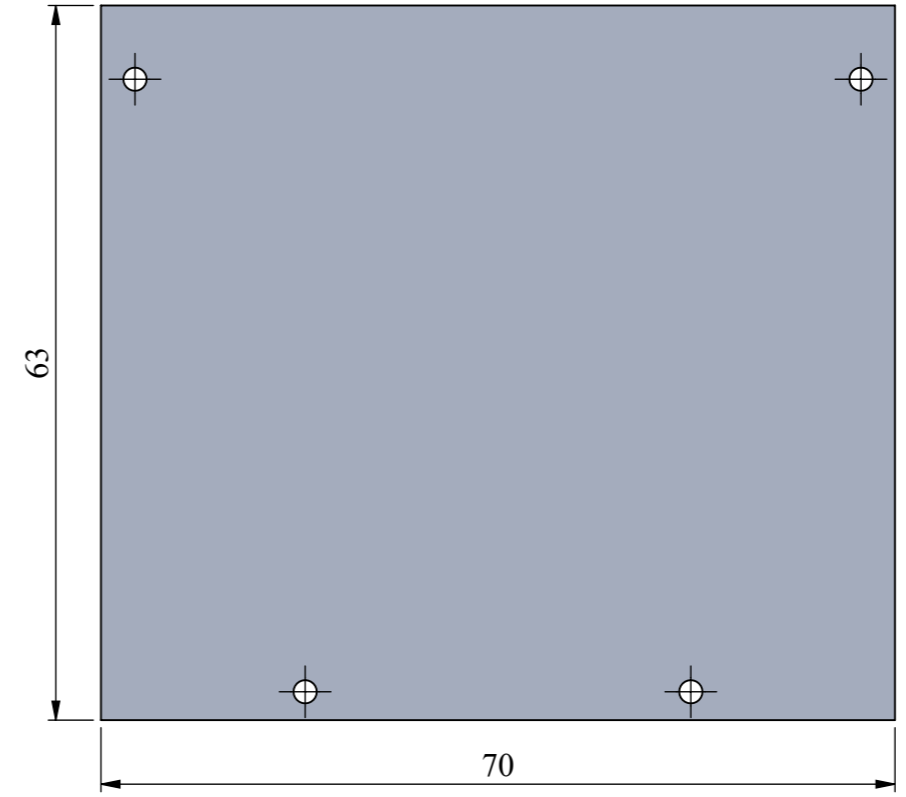
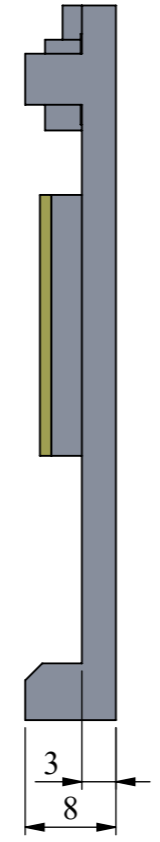
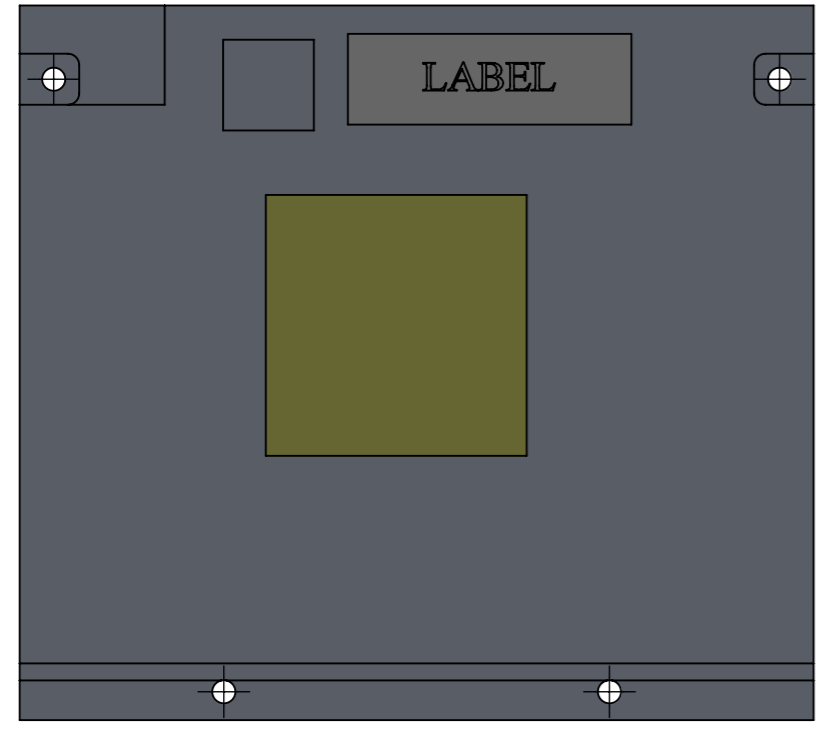
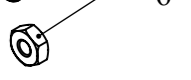


**SCREW BAG**

4x- M2.5x12 SCREW



4x- M2.5 NUT



VIEW FOR REFERENCE

ITEM NO.	PART NUMBER	DESCRIPTION	QTY.
1	ALUMINIUM HEAT SPREADER	HEAT SPREADER	1
2	TIM-23mm x 23mm	THERMAL PAD	1
3	M2.5x12 X REC PAN HEAD SCREW	SCREW	4
4	M2.5 NUT	NUT	4
5	LABEL	LABEL	1

DRAWN BY	GANGADHAR		<b>iWave System Technologies Private Limited,</b> 7/B, 29th Main, BTM Layout, 2nd Stage, Bangalore-560076, India.	
CHECKED BY	GANGADHAR			
APPROVED BY	IMMANUEL	DRAWING NO: iW-HSPALU-CLASLR-Q709		
THIS DRAWING SHEET IS PROPERITORY OF IWAVE SYSTEMS TECHNOLOGIES Pvt. Ltd.		MATERIAL : AS PER LIST		WEIGHT: 47.17 In grams.
		FINISH : ----		SUR AREA:12923.53 In sqr.mm
GENARALTOLERANCES : X: ± 0.25 .X: ± 0.1 .XX: ± 0.01			TITLE: HEAT SPREADER	
NOTES: ALL DIMENSIONS ARE IN MM. ROUND OFF ALL SHARP EDGES. SCALE: --			DATE : 08/09/2018	REV: 1.0 REL: 1.0
			SHEET 1 OF 2	

**AVAILABLE HEAT SPREADER PART NUMBERS**

SL NO	PRODUCT PART NO	DESCRIPTION	THERMAL GAP PAD	TIM PART NUMBER
5	iW-HSPALU-CLASLR-Q709	RZ/G1M Q7, RZ/G1H Q7, HEAT SPREADER	0.5 mm, Si ELASTOMER	H48-G6-150-150-0.5-0



DRAWN BY	SANJAY H		<b>iWave</b> Embedding Intelligence iWave System Technologies Private Limited, 7/B, 29th Main, BTM Layout, 2nd Stage, Bangalore-560076, India.	
CHECKED BY	SANJAY H			
APPROVED BY	IMMANUEL		DRAWING NO: iW-HSPALU-CLASLR-Q709	
THIS DRAWING SHEET IS PROPERITORY OF IWAVE SYSTEMS TECHNOLOGIES Pvt. Ltd.		MATERIAL : AS PER LIST		WEIGHT: 47.17 In grams.
NOTES: ALL DIMENSIONS ARE IN MM. ROUND OFF ALL SHARP EDGES. SCALE: - -		GENARALTOLERANCES : X: ± 0.25 .X: ± 0.1 .XX: ± 0.01		FINISH : - - - - SUR AREA: 12923.53 In sqr.mm
				TITLE: <b>HEAT SPREADER</b> REV: 5.0    REL: 1.0
		DATE : 22/08/2014		SHEET 2 OF 2