

**iW-RainboW-G27M**  
**i.MX8 QuadMax SMARC SOM HEAT SINK**  
**ORDERING PART NUMBER: iW-HSKALU-CLASLR-SC03**

RELEASE HISTORY			
REL	CHANGES	DATE	BY
1.0	INITIAL RELEASE	08 JUL. 2020	IQBAL

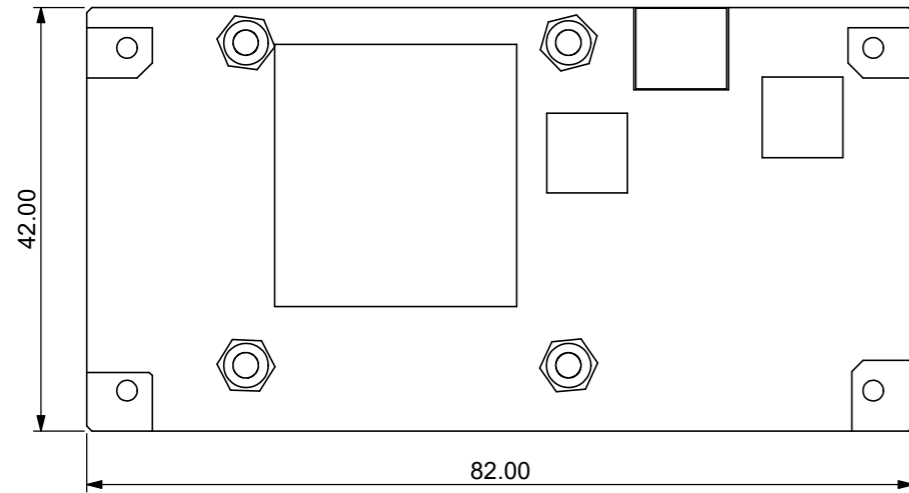


Fig 1.1

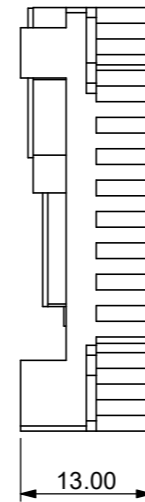


Fig 1.2

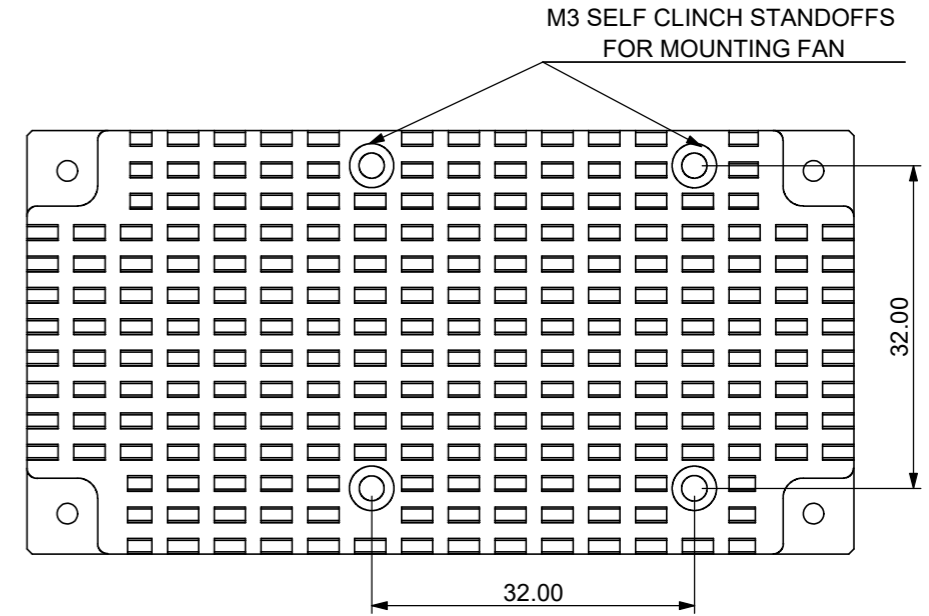


Fig 1.3

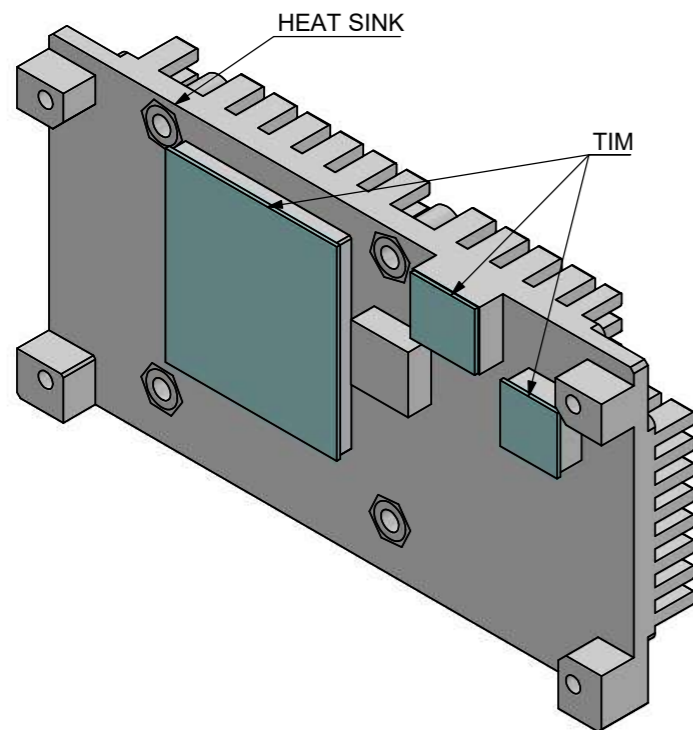


Fig 1.4

TABLE1.1: TIM SPECIFICATIONS	
MATERIAL	SILICONE RUBBER (BASE MATERIAL)
THERMAL CONDUCTIVITY	6.2W/mK
FLAME RATING	UL 94 V-0
HARDNESS	50 Shore 00
WORKING TEMP.	-50~+150 °C
ROHS	YES

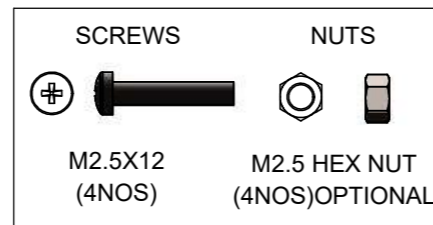


Fig 1.5

NOTES:  
 ALL DIMENSIONS ARE IN mm.  
 SCALE: 4:3

DRAWN BY	IQBAL		<b>iWave System Technologies Private Limited,</b> <b>7/B, 29th Main, BTM Layout, 2nd Stage,</b> <b>Bangalore-560076, India.</b>	
CHECKED BY	GANGADHAR		DRAWING NO: <b>iW-HSKALU-CLASLR-SC03-DS</b>	
APPROVED BY	PRADAP		MATERIAL : AL 6063-T5 ALLOY	WEIGHT: 52 g
THIS DRAWING SHEET IS PROPERITY OF iWAVE SYSTEMS TECHNOLOGIES Pvt. Ltd.			FINISH : CLEAR ANODIZED	
GENERAL TOLERANCES :			TITLE: <b>G27M-SMARC SOM HEAT SINK DATA SHEET</b>	REV: 4.0
X: ± 0.25 .X: ± 0.1 .XX: ± 0.01			DATE : 08 JUL. 2020	REL: 1.0
			SHEET 1 OF 1	