

**iW-RainboW-G33M**  
**i.MX8M SMARC SOM HEAT SINK**  
**ORDERING PART NUMBER: iW-HSKALU-CLASLR-SC02**

RELEASE HISTORY			
REL	CHANGES	DATE	BY
1.0	INITIAL RELEASE	15 JUL. 2020	IQBAL

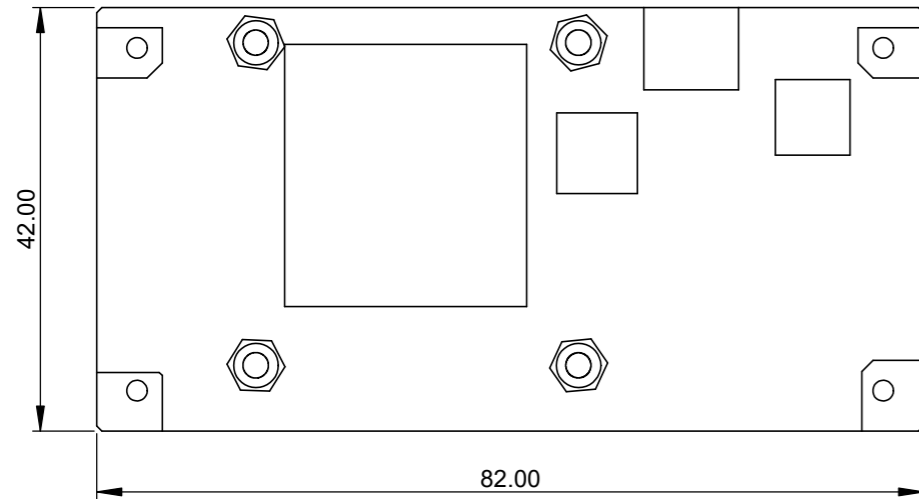


Fig 1.1

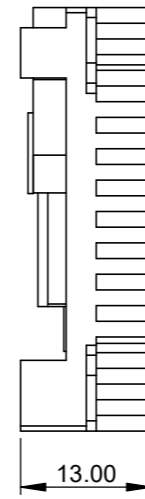


Fig 1.2

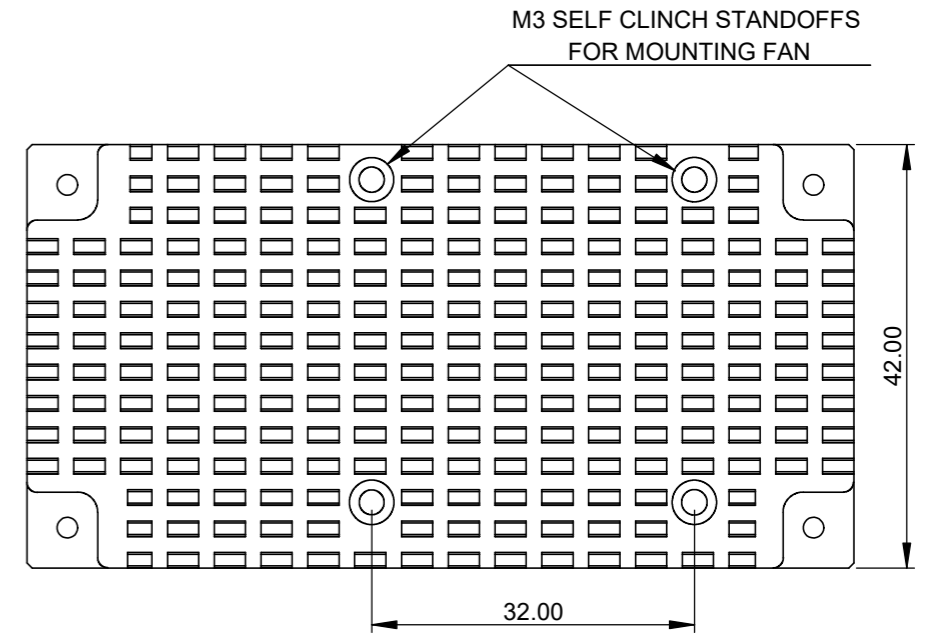


Fig 1.3

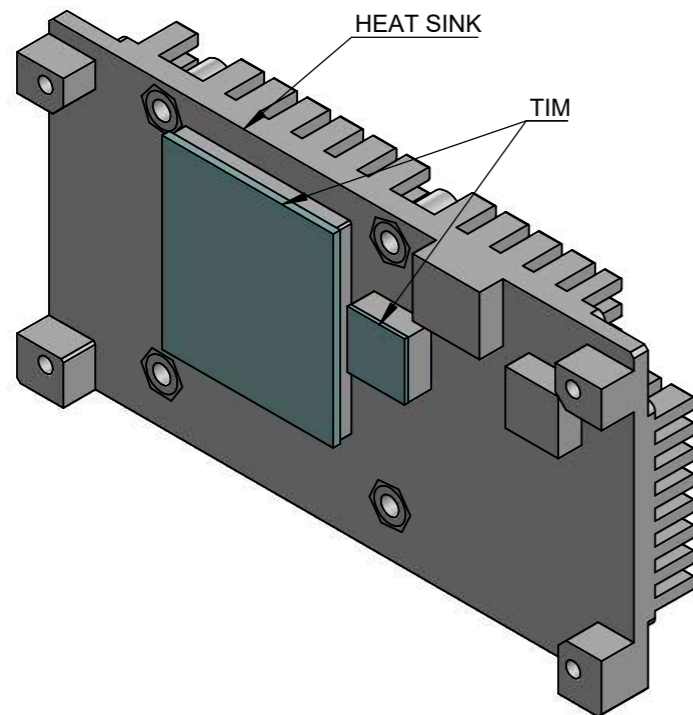


Fig 1.4

TABLE 1.1: TIM SPECIFICATIONS	
MATERIAL	SILICONE RUBBER (BASE MATERIAL)
THERMAL CONDUCTIVITY	6.2W/mK
FLAME RATING	UL 94 V-0
HARDNESS	50 Shore 00
WORKING TEMP.	-50~+150 °C
ROHS	YES

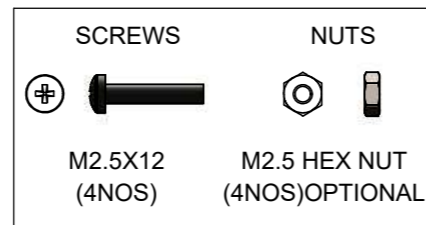


Fig 1.5

NOTES:  
 ALL DIMENSIONS ARE IN mm.  
 SCALE: 4:3

DRAWN BY	IQBAL
CHECKED BY	GANGADHAR
APPROVED BY	PRADAP
THIS DRAWING SHEET IS PROPRIETARY OF iWAVE SYSTEMS TECHNOLOGIES Pvt. Ltd.	
GENERAL TOLERANCES :	
X:	± 0.25
.X:	± 0.1
.XX:	± 0.01

		<b>iWave System Technologies Private Limited,</b> 7/B, 29th Main, BTM Layout, 2nd Stage, Bangalore-560076, India.	
		DRAWING NO: <b>iW-HSKALU-CLASLR-SC02-DS</b>	
MATERIAL : AL 6063-T5 ALLOY		WEIGHT: 53 g	
FINISH : CLEAR ANODIZED			
TITLE: <b>G33M-SMARC SOM HEAT SINK DATA SHEET</b>		REV: 3.0	REL: 1.0
DATE : 15 JUL. 2020		SHEET 1 OF 1	