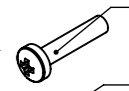

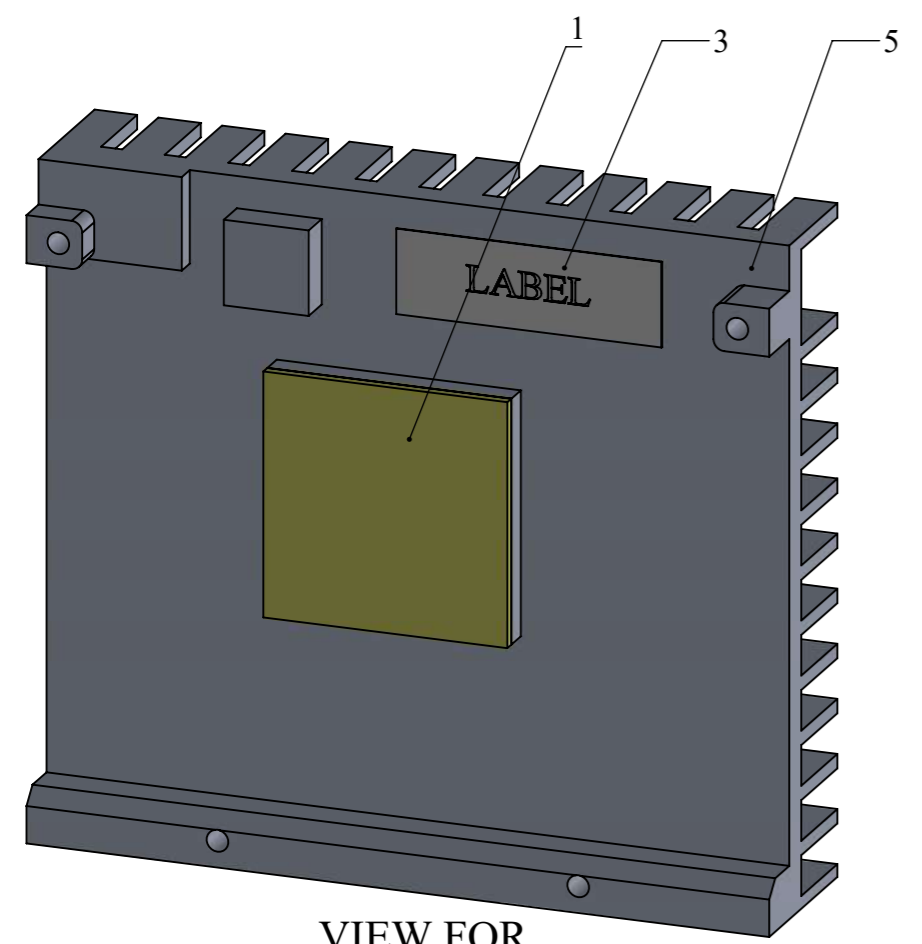



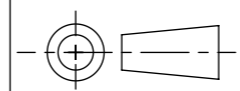
- SCREW BAG**
- 4x- M2.5x12 SCREW 
 - 4x- M2.5 NUT 



VIEW FOR REFERENCE.

ITEM NO.	PART NUMBER	DESCRIPTION	QTY.
1	M2.5x12 X REC PAN HEAD SCREW	SCREW	4
2	M2.5 NUT	HEX NUT	4
3	LABEL	LABEL	1
5	iW-PREXZ-MP-02-R4.0-REL1.0-HS001	Q7 HEAT SINK	1
5	TIM-23mm x 23mm	THERMAL PAD	1

DRAWN BY	GANGADHAR	 iWave Embedding Intelligence	iWave System Technologies Private Limited, 7/B, 29th Main, BTM Layout, 2nd Stage, Bangalore-560076, India.	
CHECKED BY	GANGADHAR		DRAWING NO:	iW-HSKALU-CLASLR-Q705
APPROVED BY	IMMANUEL	THIS DRAWING SHEET IS PROPERITORY OF iWAVE SYSTEMS TECHNOLOGIES Pvt. Ltd.		MATERIAL : AS PER LIST WEIGHT: 65.77 In grams.
GENARALTOLERANCES : .X: ± 0.25 .X: ± 0.1 .XX: ± 0.01		FINISH : ---- TITLE: HEAT SINK-Q7 SOM		SUR AREA:---- In sqr.mm REV:4.0 REL: 1.0
NOTES: ALL DIMENSIONS ARE IN MM. ROUND OFF ALL SHARP EDGES. SCALE: --		DATE : 08/09/2018		SHEET 1 OF 2



AVAILABLE HEAT SINK PART NUMBERS

SL NO	PRODUCT PART NO	DESCRIPTION	THERMAL GAP PAD	PART NUMBER
1	iW-HSKALU-CLASLR-Q705	RZ/G1M Q7, RZ/G1H Q7 HEAT SINK	0.5 mm, Si ELASTOMER	H48-6G-150-150-0.5-0

A

A

B

B

C

C

D

D

E

E

F

F

DRAWN BY			iWave System Technologies Private Limited, 7/B, 29th Main, BTM Layout, 2nd Stage, Bangalore-560076, India.	
CHECKED BY				
APPROVED BY		DRAWING NO:		
THIS DRAWING SHEET IS PROPERITORY OF IWAVE SYSTEMS TECHNOLOGIES Pvt. Ltd.		MATERIAL :	WEIGHT: In grams.	
		FINISH :	SUR AREA: In sqr.mm	
		TITTLE:	REV:	REL:
		DATE :	SHEET 2 OF 2	

NOTES:
 ALL DIMENSIONS ARE IN MM.
 ROUND OFF ALL SHARP EDGES.
 SCALE: - -

GENARALTOLERANCES :
 X: ± 0.25
 .X: ± 0.1
 .XX: ± 0.01

