

**iW-Rainbow-G27S**  
**i.MX8 Quad MAX/Quad Plus Pico ITX SBC HEAT SINK**  
**ORDERING PART NO: iW-HSKALU-BLALC-SB02**

RELEASE HISTORY			
REL	CHANGES	DATE	BY
1.0	INITIAL RELEASE	10 JUL. 2020	IQBAL

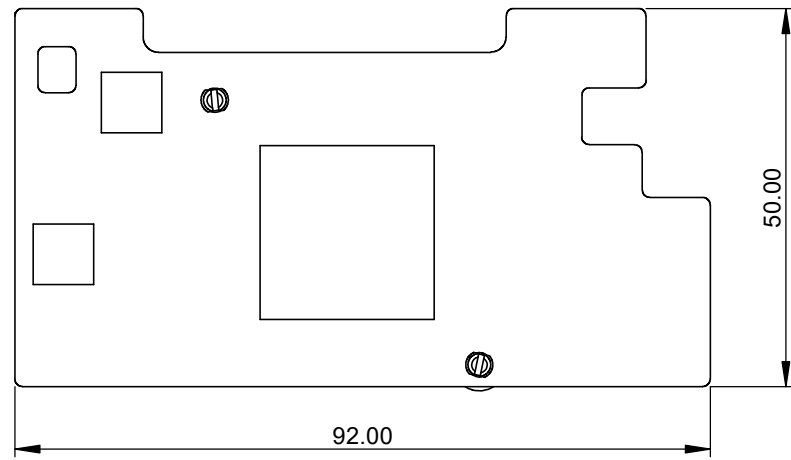


Fig 1.1

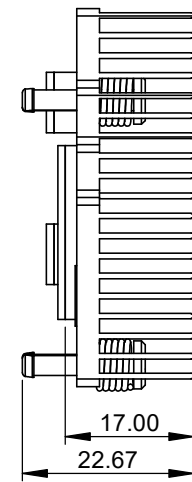


Fig 1.2

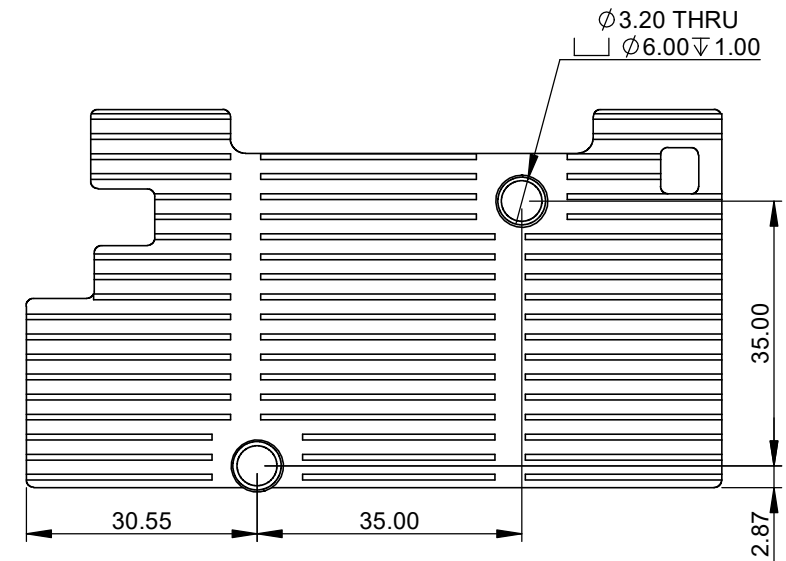


Fig 1.3

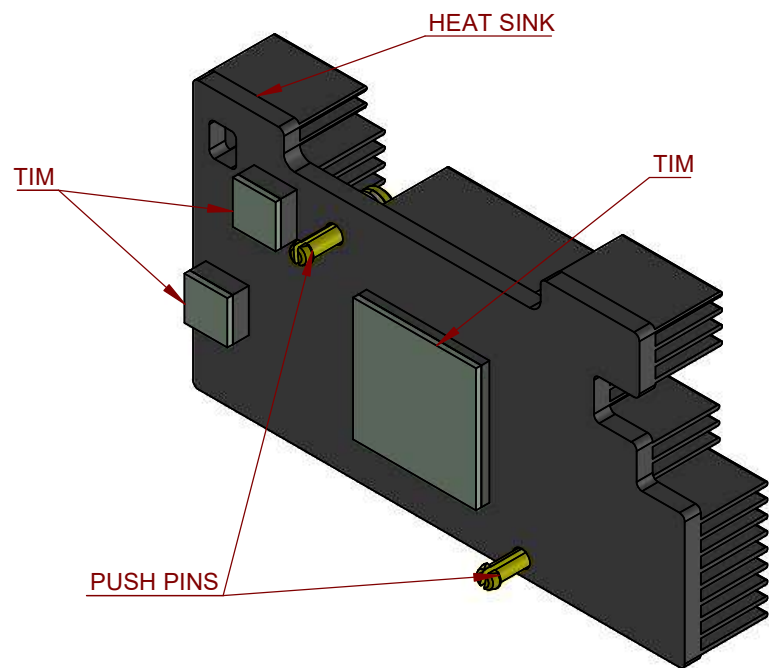


Fig 1.4

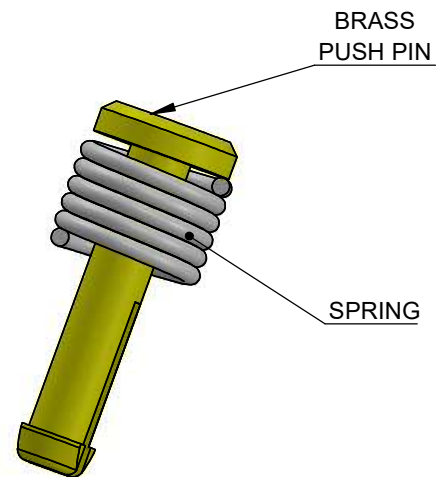

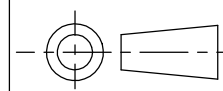


Fig 1.5

TABLE1.1: TIM SPECIFICATIONS	
MATERIAL	SILICONE RUBBER (BASE MATERIAL)
THERMAL CONDUCTIVITY	12.5W/mK
FLAME RATING	UL 94 V-0
HARDNESS	50 Shore 00
WORKING TEMP.	-50~+150 °C
ROHS	YES

DRAWN BY	IQBAL	 <b>iWave System Technologies Private Limited,</b> <b>7/B, 29th Main, BTM Layout, 2nd Stage,</b> <b>Bangalore-560076, India.</b>
CHECKED BY	GANGADHAR	
APPROVED BY	PRADAP	
THIS DRAWING SHEET IS PROPERITY OF IWAVE SYSTEMS TECHNOLOGIES Pvt. Ltd.		DRAWING NO: <b>iW-HSKALU-BLALC-SB02-DS</b>
NOTES: ALL DIMENSIONS ARE IN mm. SCALE: -----		MATERIAL : AL 6063-T5 ALLOY WEIGHT: 70 g
GENARLTOLERANCES : X: ± 0.25 .X: ± 0.1 .XX: ± 0.01		FINISH : BLACK ANODIZED
		TITLE: <b>G27S-i.MX8 Pico ITX SBC HEAT SINK DATA SHEET</b> DATE : 10 JUL. 2020
		REV: 2.0 REL: 1.0 SHEET 1 OF 1