

iW-Rainbow-G27S
i.MX8 Quad MAX/Quad Plus Pico ITX SBC FAN SINK
ORDERING PART NO: iW-FSKALU-BLABLC-SB02

RELEASE HISTORY			
REL	CHANGES	DATE	BY
1.0	INITIAL RELEASE	10 JUL. 2020	IQBAL

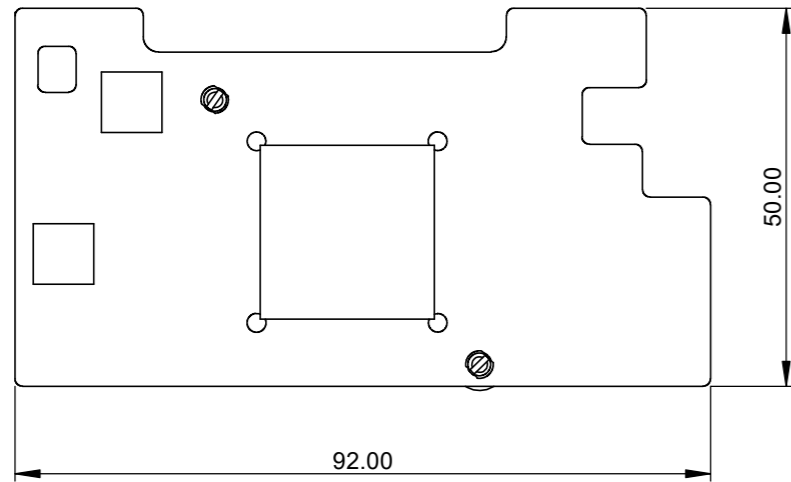


Fig 1.1

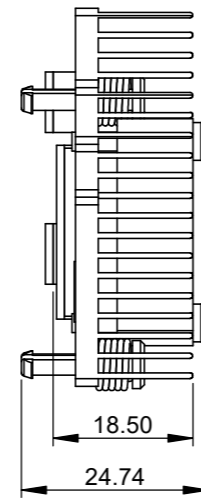


Fig 1.2

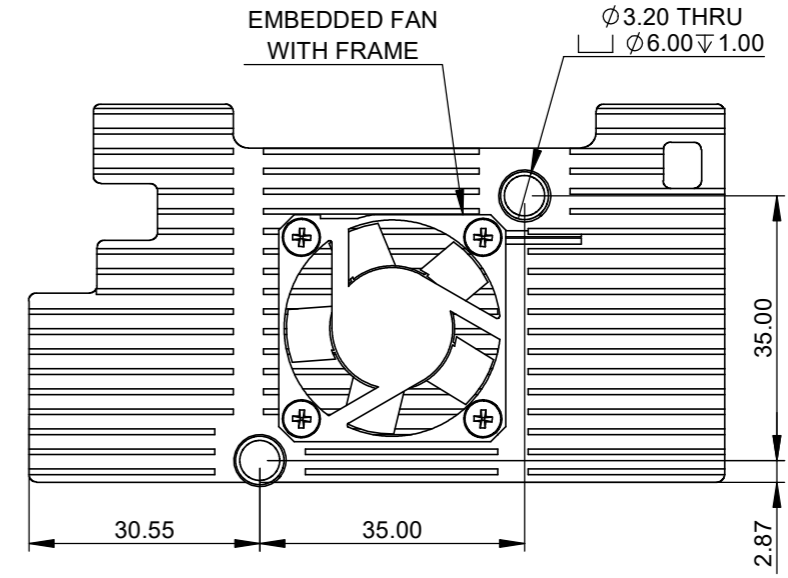


Fig 1.3

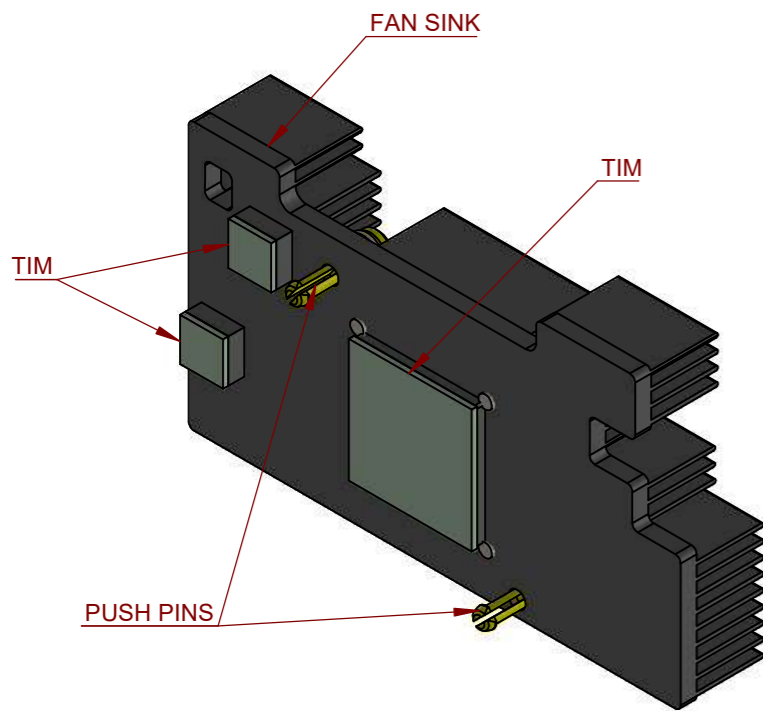


Fig 1.4

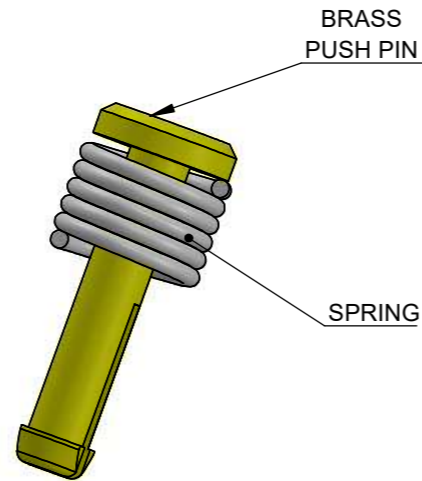



Fig 1.5

TABLE 1.1: FAN SPECIFICATIONS	
PART NO.	MR3010H05B-RSR
DIMENSIONS	30X30X10mm
AIR FLOW	6.4 CFM 0.18m3/min
STATIC PRESSURE	6.64mmH2O
RATED VOLTAGE	5V DC
FLAME RATING	UL 94 V-0
ROHS	YES

TABLE 1.2: TIM SPECIFICATIONS	
MATERIAL	SILICONE RUBBER (BASE MATERIAL)
THERMAL CONDUCTIVITY	12.5W/mK
FLAME RATING	UL 94 V-0
HARDNESS	50 Shore 00
WORKING TEMP.	-50~+150 °C
ROHS	YES

DRAWN BY	IQBAL	 iWave System Technologies Private Limited, 7/B, 29th Main, BTM Layout, 2nd Stage, Bangalore-560076, India.
CHECKED BY	GANGADHAR	
APPROVED BY	PRADAP	
THIS DRAWING SHEET IS PROPERITY OF IWAVE SYSTEMS TECHNOLOGIES Pvt. Ltd.		DRAWING NO: iW-FSKALU-BLABLC-SB02-DS
MATERIAL : AL 6063-T5 ALLOY		WEIGHT: 71 g
FINISH : BLACK ANODIZED		
TITLE: G27S-i.MX8 Pico ITX SBC FAN SINK DATA SHEET		REV: 2.0 REL: 1.0
DATE : 10 JUL. 2020		SHEET 1 OF 1

NOTES:
 ALL DIMENSIONS ARE IN mm.
 SCALE: -----

GENERAL TOLERANCES :
 X: ± 0.25
 .X: ± 0.1
 .XX: ± 0.01

