

iW 8xxG1 is a Single Board Computer using the Motorola Power PC MPC 8xx family of Processors. This board is designed to PCI Mezzanine IEEE P 1386.1 Compliant PMC Standard. This Single Board computer is an excellent design base for actual systems development in various applications like high-end communication equipment, home gateways, security systems, Industrial controls, Defense application, Applied computing, etc. This board design is flexible to meet any customer specific requirements.

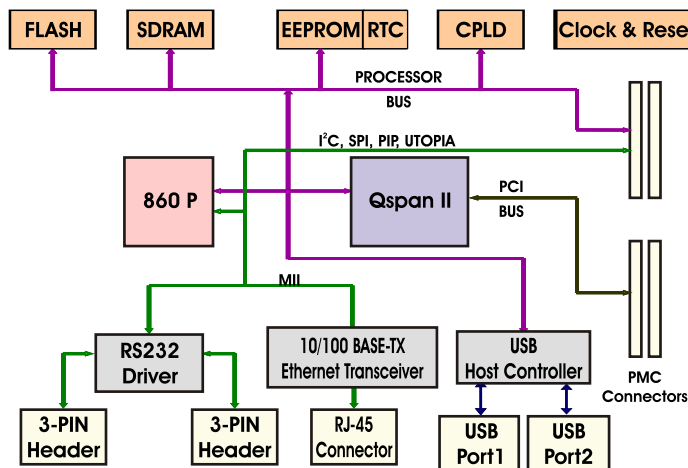
Features

- ◆ Motorola Power PC 8xx CPU *
 - ▶ 50 MHz Operating Frequency
- ◆ Flexible Memory Options **
 - ▶ 1MB Flash Memory expandable to 8MB
 - ▶ 32 MB SDRAM expandable to 128MB
- ◆ Multiple Communication Interfaces
 - ▶ RS 232 Serial Port 2Nos
 - ▶ 10/100 Ethernet Port
- ◆ Software
 - ▶ OS Support: Embedded Linux
- ◆ Detailed User Manual



Optional Deliverables

- ▶ USB Host Controller with two downstream Ports
- ▶ Enclosure with Power Supply & Serial Cable
- ▶ PCI Interface (Master/Target Interface)
- ▶ Other OS Support: VxWorks, eCOS, etc



About Us

iWave Systems Technologies is an embedded Hardware and Software Turnkey Design Services company, focused on providing integrated solutions for developing innovative products and systems in the areas of Communication, Consumer electronics and Multimedia. iWave offers complete turnkey solutions for systems engineering and product development.

India :

iWave Systems Technologies Pvt. Ltd.,
7/B, 29th Main, BTM Layout 2nd Stage,
Bangalore 560 076. INDIA.
Ph : +91-80-26683700, 26786245
Fax : +91-80-26685200
Email : mktg@iwavesystems.com
Web : www.iwavesystems.com

Japan:

iWave Systems Technologies, 108-0023,
Tokyo, Minato-Ku, Shibaura 3-13-3,
Shibaura SEC Building, 6th Floor, Japan
Ph : +81-3-5765-5125
Fax : +81-3-5765-5126
Email : jp-mktg@iwavesystems.com
Web : www.iwavesystems.com/japan

* MPC 855T, 860P

** Default Memory Option : 1MB Flash & 32 MB SDRAM