

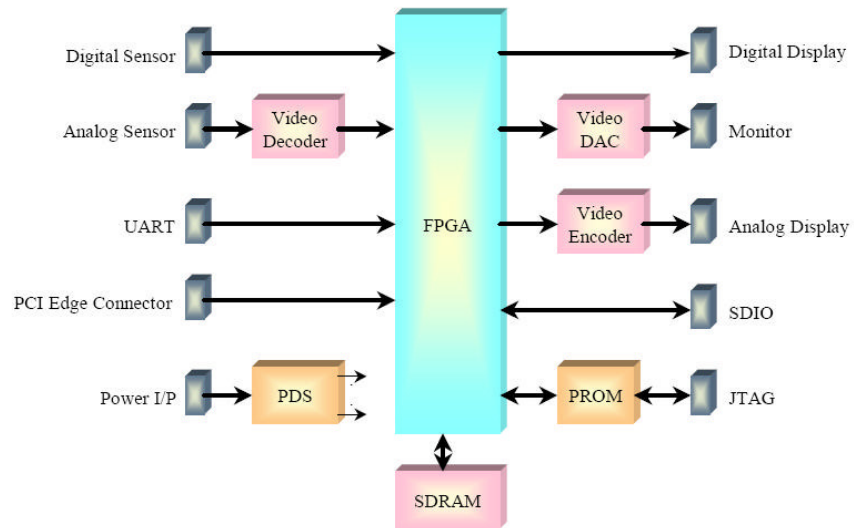
## Overview

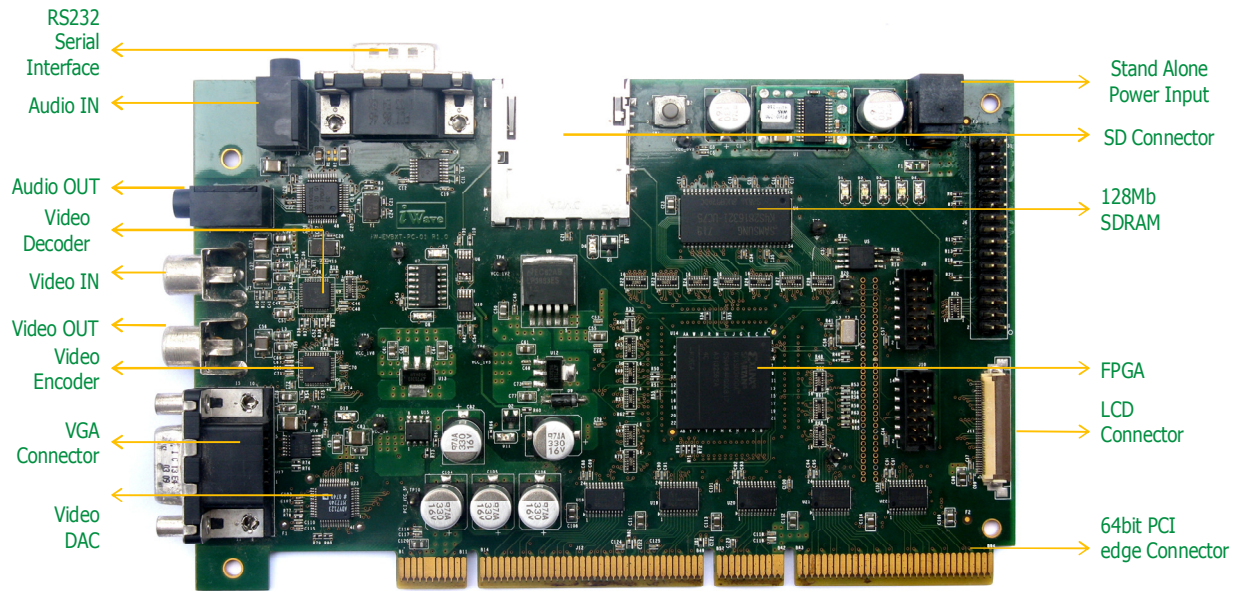
The Video demo board is mainly used for the demonstration of different Video interface cores developed by iWave. This board is capable of handling both Analog as well as Digital videos and display the same in Analog or Digital display. So this board suits for all video related application irrespective of Analog or Digital.

## Features

- FPGA
  - SPARTAN-3A FPGA (XC3SD3400A)
- 64-bit Universal PCI Edge Connector
- Video decoder (ADV7180)
  - 10 bit, 4x oversampling SDTV Video decoder.
- Video Encoder (ADV7393)
  - Low power, chip scale 10-bit SD/HD Video Encoder.
- Video DAC (ADV7123)
  - Triple 10 bit high speed video Digital to analog converter.
- Audio codec (UCB1400)
  - Audio codec with touch screen controller and power management monitor.
- Digital Camera Input
- LCD Connector
- SD Connector
- Audio Input and Output Connector
- SDRAM (K4S281632B1)

## Block Diagram





**Deliverables**

- Video demo board
- Schematics of the board
- Board user manual
- Power supply for Stand-Alone mode (1 no.)