

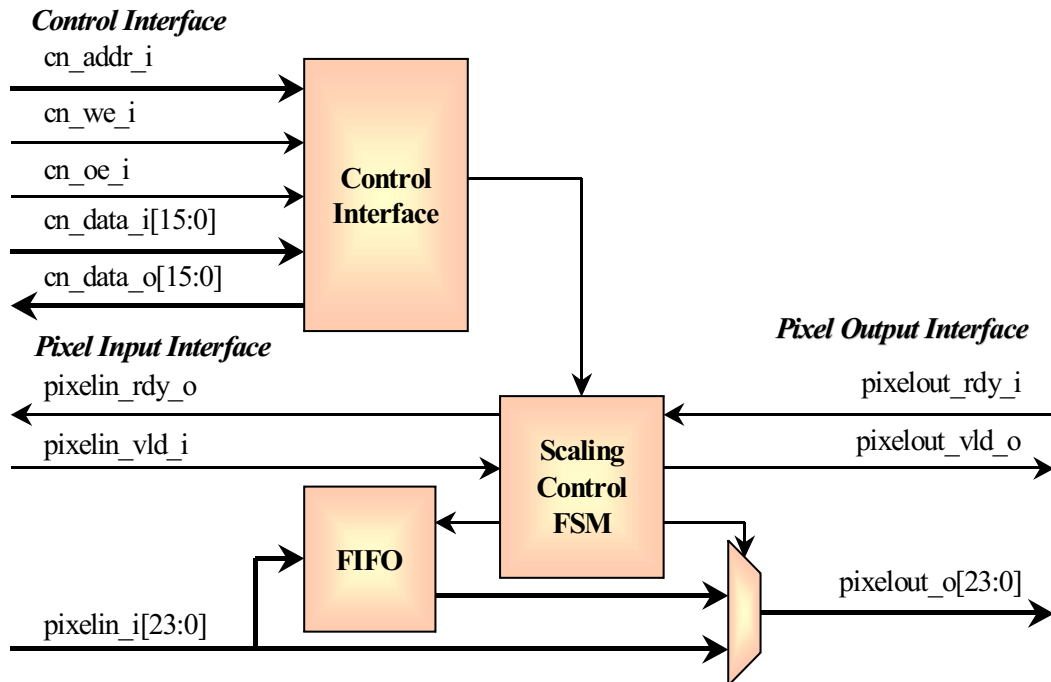
Overview

iW-Video Scaler converts the video signals from one resolution to another resolution. This core can be used to convert low resolution to high or high resolution to low.

Features

- ❖ Up Scaling by any value from 1 to 4
- ❖ Down Scaling by any value from 1 to 16
- ❖ Maximum input resolution supported is 1024 pixel per line
- ❖ Upscaling done by pixel duplication
- ❖ Downscaling done by pixel dropping

Block Diagram



Core Benefits

- ❖ Can be combined with an ADC or digitizer and a DAC to support analog inputs and outputs
- ❖ Can be used to increase the resolution of video signals.

Core Applications

- ❖ Can be used in all sorts of applications which use LCD, Plasma, Digital Light Processing and etc.

Deliverables

- ❖ Technical Specification
- ❖ RTL Verilog Synthesizable Code
- ❖ Comprehensive Test Environment
- ❖ Technical Support and Maintenance

About Us

iWave Systems Technologies is an embedded Hardware and Software Turnkey Design Services focused on providing integrated solutions for developing innovative products and systems in the areas of Communication, Consumer Electronics and Multimedia. iWave offers complete turnkey solutions for systems engineering and product development.

Contact Us

India: iWave Systems Technologies Pvt. Ltd., 7/B, 29th Main, BTM Layout 2nd Stage, Bangalore 560 076. INDIA
Ph : +91-80-26683700, 26786245, Fax : +91-80-26685200
Email : mktg@iwavesystems.com, Web : www.iwavesystems.com

Japan: iWave Japan, Inc. 8F Kannai Sumiyoshi Building 3-29, Sumiyoshi-cho, Naka-ku, Yokohama Kanagawa, Japan.
Ph : +81-45-227-7626, Fax : +81-45-227-7646, Email : info@iwavejapan.co.jp, Web : www.iwavejapan.co.jp