

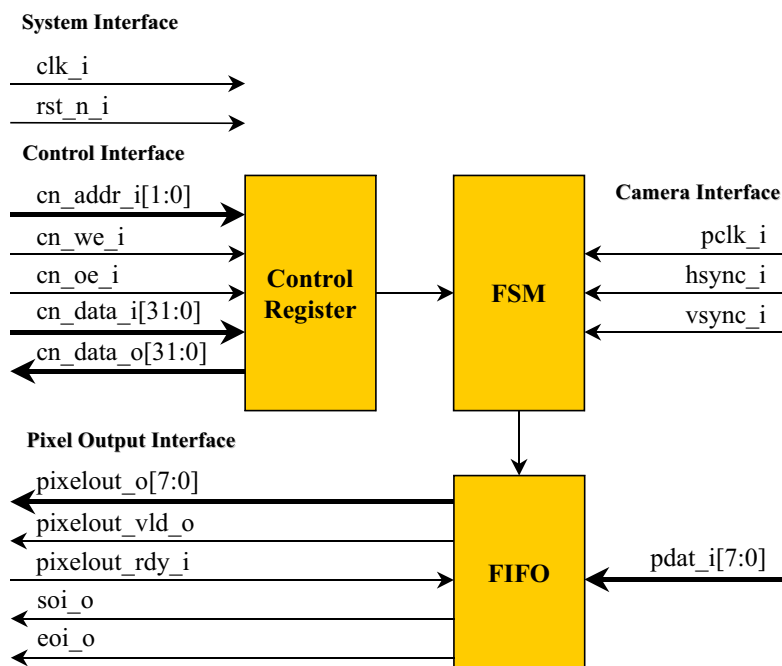
Overview

iW-Camera Interface core accepts pre-processed, synchronized frames in 10-bit YCbCr / RGB format from a digital camera and outputs 10-bit video data in the same format in a continuous stream without blanking and synchronization information for downstream processing.

Features

- ✧ Parallel interface support for 8-bit
- ✧ Pre-processed capture mode for YCbCr 4:2:2 data format
- ✧ Supports Progressive type scan
- ✧ Programmable vertical and horizontal resolution
- ✧ Programmable polarity of frame clock & line clock

Block Diagram



Core Benefits

- ✧ Removes the flicker in the video signal without taking additional bandwidth
- ✧ Improves the picture quality

Core Applications

- ✧ By integrating with digital cameras this can be used in remote monitoring systems, security systems and etc.

Deliverables

- ✧ Technical Specification
- ✧ RTL Verilog Synthesizable Code
- ✧ Comprehensive Test Environment
- ✧ Technical Support and Maintenance

About Us

iWave Systems Technologies is an embedded Hardware and Software Turnkey Design Services focused on providing integrated solutions for developing innovative products and systems in the areas of Communication, Consumer Electronics and Multimedia. **iWave** offers complete turnkey solutions for systems engineering and product development.

Contact Us

India: iWave Systems Technologies Pvt. Ltd., 7/B, 29th Main, BTM Layout 2nd Stage, Bangalore 560 076. INDIA
Ph : +91-80-26683700, 26786245, Fax : +91-80-26685200
Email : mktg@iwavesystems.com, Web : www.iwavesystems.com

Japan: iWave Japan, Inc. 8F Kannai Sumiyoshi Building 3-29, Sumiyoshi-cho, Naka-ku, Yokohama Kanagawa, Japan.
Ph : +81-45-227-7626, Fax : +81-45-227-7646, Email : info@iwavejapan.co.jp, Web : www.iwavejapan.co.jp