

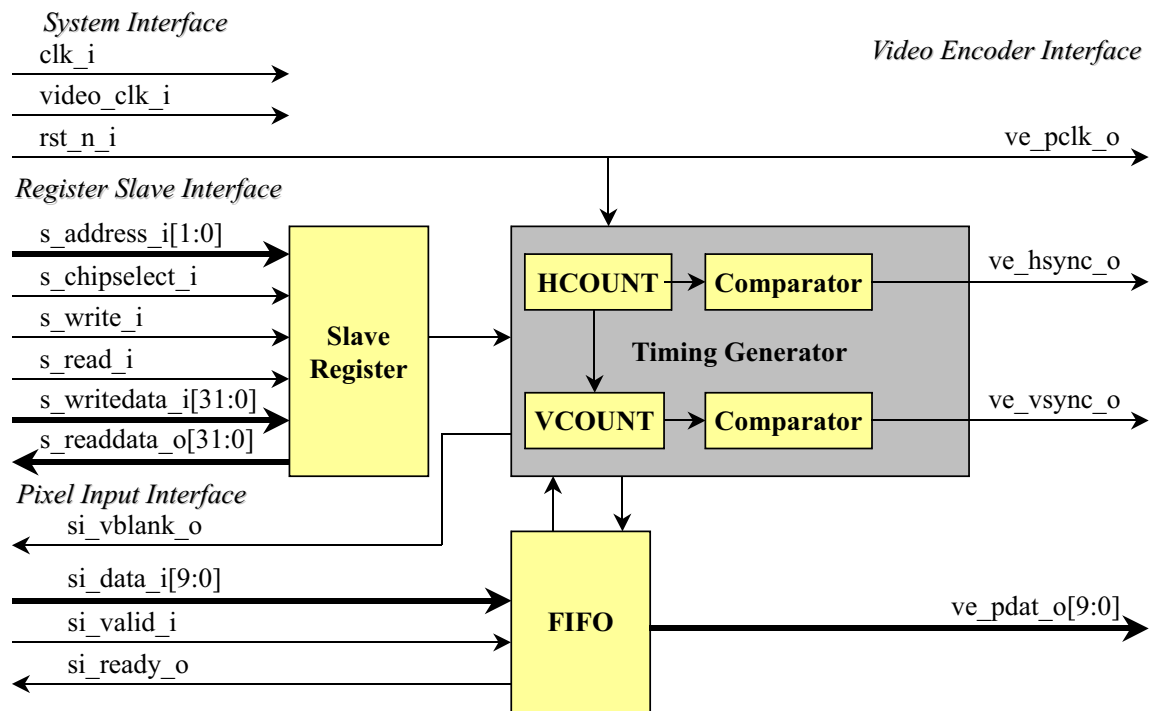
Overview

iW-Video Encoder Interface core accepts unformatted video data (without blanking/synchronization information) in 10-bit Y'CbCr 4:2:2 format and outputs 10-bit synchronized video in conformance with BT.601/656 recommendation to a video encoder.

Features

- ❖ BT656 standard interface
- ❖ Parallel interface support for 10-bit
- ❖ YCbCr 4:2:2 data
- ❖ Supports interlace type scan
- ❖ Supports for both PAL & NTSC resolution
- ❖ Programmable polarity of frame clock & line clock

Block Diagram



Core Benefits

- ❖ Simple design makes it easier to integrate in many FPGA families

Core Applications

- ❖ Can be used in all kinds of PDAs and set top box applications
- ❖ Can be used in video surveillance systems, monitoring systems and all kind of video processing systems

Deliverables

- ❖ Technical Specification
- ❖ RTL Verilog Synthesizable Code
- ❖ Comprehensive Test Environment
- ❖ Technical Support and Maintenance

About Us

iWave Systems Technologies is an embedded Hardware and Software Turnkey Design Services focused on providing integrated solutions for developing innovative products and systems in the areas of Communication, Consumer Electronics and Multimedia. iWave offers complete turnkey solutions for systems engineering and product development.

Contact Us

India: iWave Systems Technologies Pvt. Ltd., 7/B, 29th Main, BTM Layout 2nd Stage, Bangalore 560 076. INDIA

Ph : +91-80-26683700, 26786245, Fax : +91-80-26685200

Email : mktg@iwavesystems.com, Web : www.iwavesystems.com

Japan: iWave Japan, Inc. 8F Kannai Sumiyoshi Building 3-29, Sumiyoshi-cho, Naka-ku, Yokohama Kanagawa, Japan.

Ph : +81-45-227-7626, Fax : +81-45-227-7646, Email : info@iwavejapan.co.jp, Web : www.iwavejapan.co.jp