

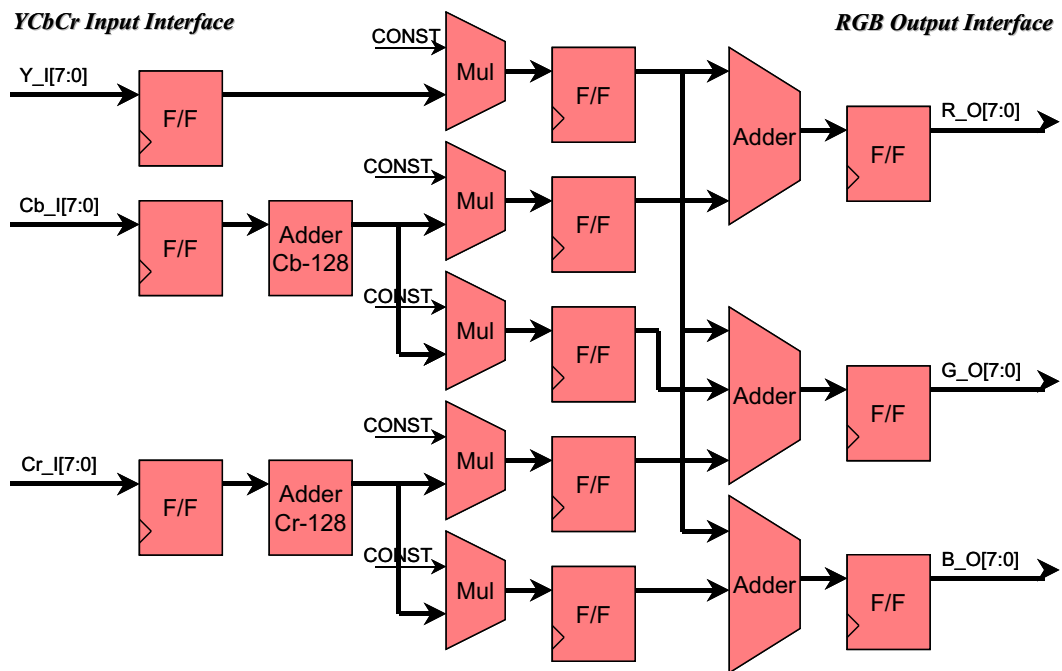
## Overview

iW-Color Space Converter converts different video formats into RGB. This simple reliable core can be easily integrated into industrial, commercial, entertainment and applications that use LCD display.

## Features

- ❖ Supports the following Color Space Converter Core :
  - ❖ YCbCr to RGB
  - ❖ YUV to RGB
- ❖ Function selection using an input signal
- ❖ Pipelined multiplier
- ❖ Latency of 4 clocks

## Block Diagram



## Core Benefits

- ❖ Simple design makes it easier to integrate in many FPGA families

## Core Applications

- ❖ Can be used in video applications such as image grabber, display systems and etc.
- ❖ Can be used in applications that require LCD Interface

## Deliverables

- ❖ Technical Specification
- ❖ RTL Verilog Synthesizable Code
- ❖ Comprehensive Test Environment
- ❖ Technical Support and Maintenance

### About Us

iWave Systems Technologies is an embedded Hardware and Software Turnkey Design Services focused on providing integrated solutions for developing innovative products and systems in the areas of Communication, Consumer Electronics and Multimedia. iWave offers complete turnkey solutions for systems engineering and product development.

### Contact Us

**India:** iWave Systems Technologies Pvt. Ltd., 7/B, 29th Main, BTM Layout 2nd Stage, Bangalore 560 076. INDIA  
Ph : +91-80-26683700, 26786245, Fax : +91-80-26685200  
Email : [mktg@iwavesystems.com](mailto:mktg@iwavesystems.com), Web : [www.iwavesystems.com](http://www.iwavesystems.com)

**Japan:** iWave Systems Technologies, 8F Kannai Sumiyoshi Building 3-29, Sumiyoshi-cho, Naka-ku, Yokohama Kanagawa, Japan.  
Ph : +81-45-227-7626, Fax : +81-45-227-7646, Email : [jp-mktg@iwavesystems.com](mailto:jp-mktg@iwavesystems.com), Web : [www.iwavesystems.com/japan](http://www.iwavesystems.com/japan)