

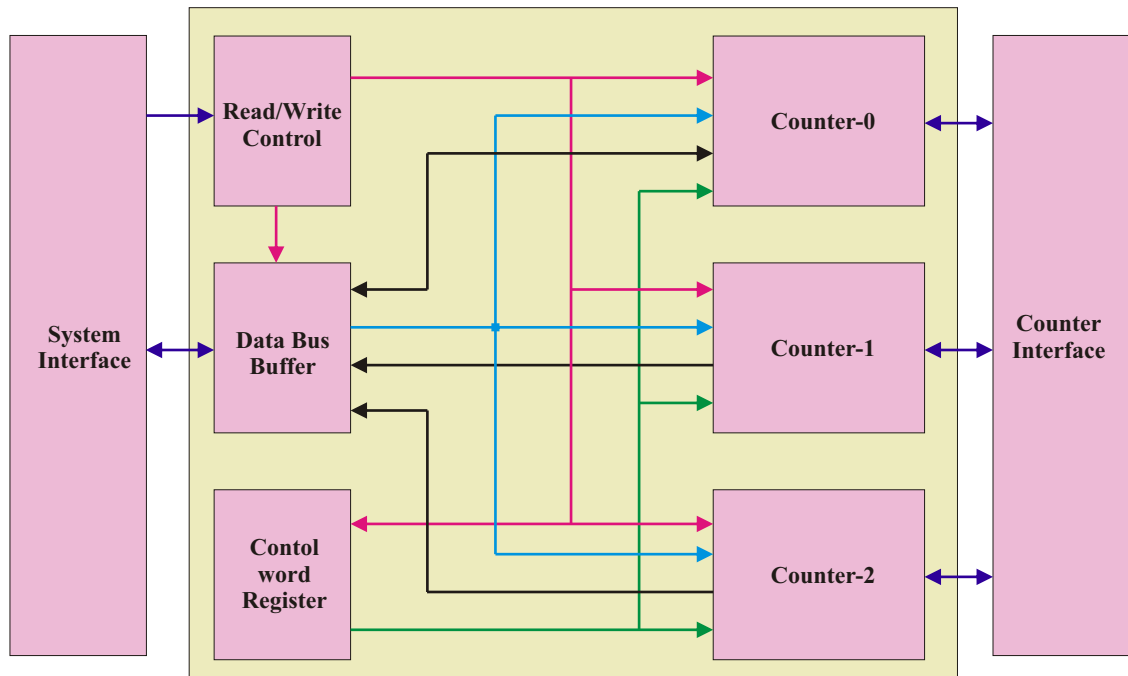
Overview

iW- Programmable Timer used for timing control applications in microcomputer systems. The design is capable of generating accurate time delays under software control. Three independent 16-bit counters are supported which can be configured to operate in one of the six operating modes supported.

Features

- ❖ Three independently operated 19-bit counters
- ❖ Binary/BCD count operation
- ❖ Multiple Latch command for easy monitoring
- ❖ Counter Latch command
- ❖ Six count modes available for each counter
 - Interrupt at the End of the Count
 - GATE Retriggerable One-Shot
 - Rate Generator
 - Square Wave Generator
 - Software-Triggered Strobe
- ❖ Functionally based on 8254

Block Diagram



Core Benefits

- ❖ Eases SOC integration
- ❖ Configurable for ease of use

Deliverables

- ❖ Technical Specification
- ❖ RTL Verilog Synthesizable Code
- ❖ Comprehensive Test Environment
- ❖ Technical Support and Maintenance

About Us

iWave Systems Technologies is an embedded Hardware and Software Turnkey Design Services focused on providing integrated solutions for developing innovative products and systems in the areas of Communication, Consumer Electronics and Multimedia. iWave offers complete turnkey solutions for systems engineering and product development.

Contact Us

India: iWave Systems Technologies Pvt. Ltd., 7/B, 29th Main, BTM Layout 2nd Stage, Bangalore 560 076. INDIA

Ph : +91-80-26683700, 26786245, Fax : +91-80-26685200

Email : mktg@iwavesystems.com, Web : www.iwavesystems.com

Japan: iWave Japan, Inc. 8F Kannai Sumiyoshi Building 3-29, Sumiyoshi-cho, Naka-ku, Yokohama Kanagawa, Japan.

Ph : +81-45-227-7626, Fax : +81-45-227-7646, Email : info@iwavejapan.co.jp, Web : www.iwavejapan.co.jp