

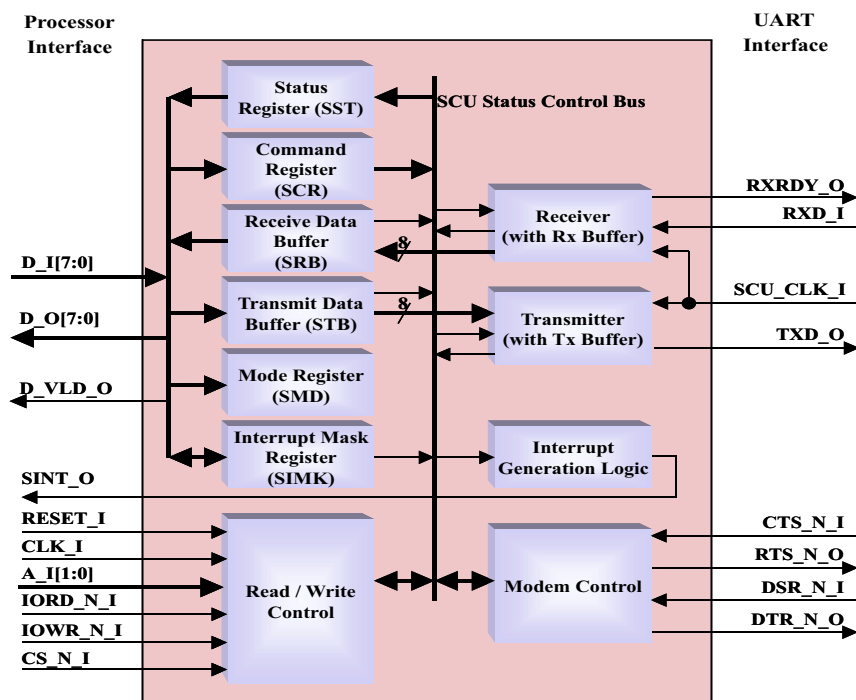
Overview

iW-Serial Controller is an USART based on 8251 with support for asynchronous communication only. This controller converts parallel data from the processor to serial data and transmit it and convert the serial received data into parallel data for the processor to read.

Features

- ❖ RS-232-C protocol support
- ❖ Asynchronous communication
- ❖ Serial interrupt support
- ❖ Clock rates of baud rate x 16 or baud rate x 64
- ❖ Character length of 7 or 8 bits
- ❖ 1 or 2 Stop bits
- ❖ Break transmission
- ❖ Automatic break detection
- ❖ Full duplex double buffer system
- ❖ Parity addition/checking
- ❖ Error detection for parity, overrun and framing

Block Diagram



Core Benefits

- ❖ Uses as a peripheral device of microcomputer system
- ❖ Configurable for ease of use

Deliverables

- ❖ Technical Specification
- ❖ RTL Verilog Synthesizable Code
- ❖ Comprehensive Test Environment
- ❖ Technical Support and Maintenance

About Us

iWave Systems Technologies is an embedded Hardware and Software Turnkey Design Services focused on providing integrated solutions for developing innovative products and systems in the areas of Communication, Consumer Electronics and Multimedia. iWave offers complete turnkey solutions for systems engineering and product development.

Contact Us

India: iWave Systems Technologies Pvt. Ltd., 7/B, 29th Main, BTM Layout 2nd Stage, Bangalore 560 076. INDIA

Ph : +91-80-26683700, 26786245, Fax : +91-80-26685200

Email : mktg@iwavesystems.com, Web : www.iwavesystems.com

Japan: iWave Japan, Inc. 8F Kannai Sumiyoshi Building 3-29, Sumiyoshi-cho, Naka-ku, Yokohama Kanagawa, Japan.

Ph : +81-45-227-7626, Fax : +81-45-227-7646, Email : info@iwavejapan.co.jp, Web : www.iwavejapan.co.jp