

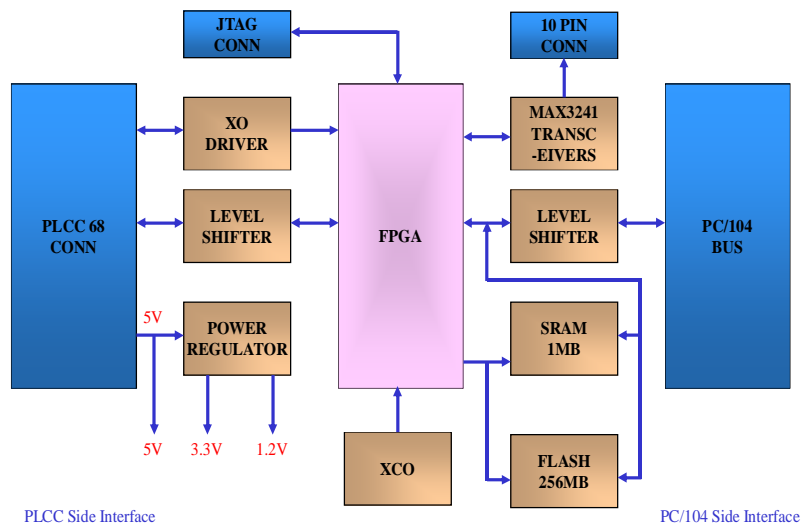
Overview

PLCC 80186/80188 Adapter Plug-in Board is the best replacement for 68 PLCC compatible processors like 80186/80188/80286. It is a boom to the industries which uses 80186/80188 processor as the user need not change their software code as it is fully software compatible to x86 Standards in case of processor obsolesce. This cost-effective solution is a perfect alternative for replacing older parts that are no longer manufactured, 80186/80188 processors and ASICs.

Features

- Board can be used as 86-Pin PLCC adapter plug-in board or PC/104 FPGA module
- FPGA
 - SPARTAN-3AN FPGA (XC3S1400AN)
- The FPGA interface includes
 - FPGA to Level Shifter Interface
 - SN74LVC8T245 & SN74LVC2T45 for PLCC and PC/104 interface.
 - Clock circuit interface.
 - Crystal Clock Oscillator Interface.
 - FPGA configuration interface.
 - Internal master SPI mode
 - FPGA Serial Interface.
 - RS232 transceivers & a 5x2 header
 - FPGA NAND Flash Interface
 - 256Mbits NAND Flash (K9F2G08U0M).
 - FPGA SRAM Interface
 - 8Mbits SRAM (IS62WV51216BLL).

Block Diagram



Top View



Bottom View



Deliverables

- PLCC 80186/80188 Adapter Plug- in Board
- Schematics of the board
- Board user manual
- Power supply for Stand-Alone operation (1 no.)