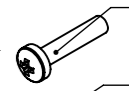

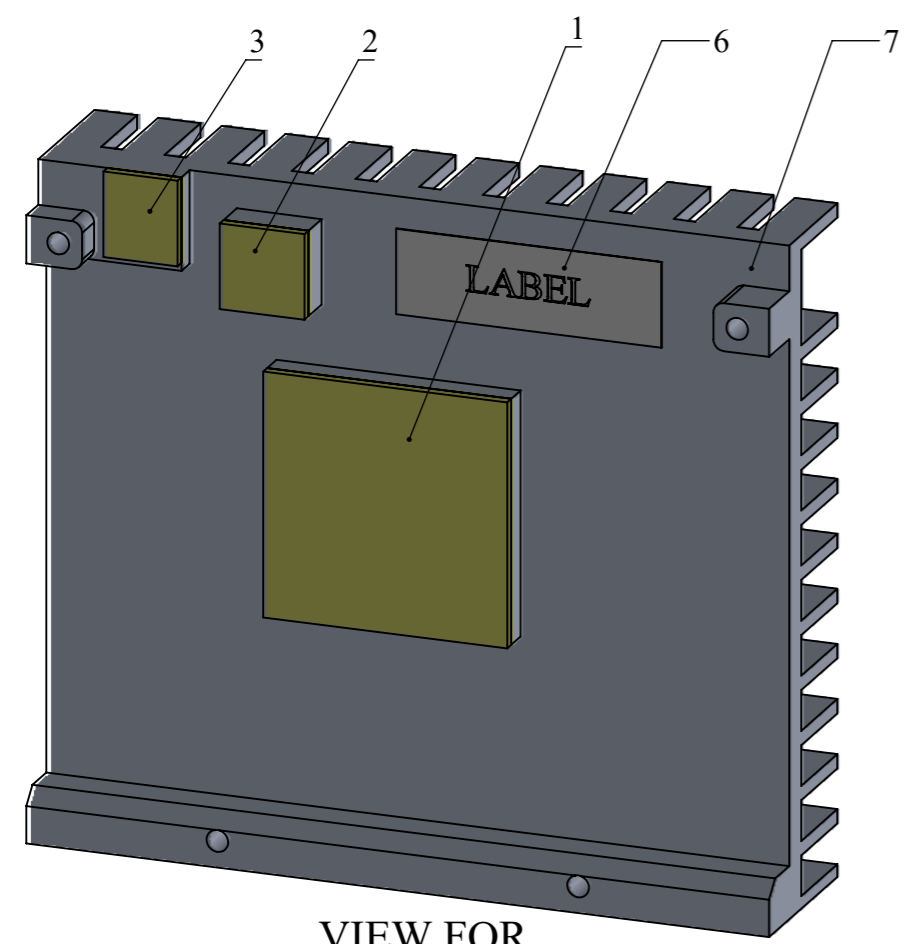



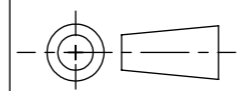
- SCREW BAG**
- 4x- M2.5x12 SCREW 
 - 4x- M2.5 NUT 



VIEW FOR REFERENCE.

ITEM NO.	PART NUMBER	DESCRIPTION	QTY.
1	TIM-23mm x 23mm	THERMAL PAD	1
2	TIM-8mm x 8mm	THERMAL PAD	1
3	TIM-8mm x 7mm	THERMAL PAD	1
4	M2.5x12 X REC PAN HEAD SCREW	SCREW	4
5	M2.5 NUT	HEX NUT	4
6	LABEL	LABEL	1
7	iW-PRDVZ-MP-02-R5.1-RELx.x-HS0xx	Q7 HEAT SINK	1

DRAWN BY	ADARSHA	 iWave Embedding Intelligence	iWave System Technologies Private Limited, 7/B, 29th Main, BTM Layout, 2nd Stage, Bangalore-560076, India.	
CHECKED BY	ADARSHA		DRAWING NO: iW-HSKALU-CLASLR-Q7xx	
APPROVED BY	PRADAP	MATERIAL : AS PER LIST		WEIGHT: 66.10 In grams.
THIS DRAWING SHEET IS PROPERITY OF iWAVE SYSTEMS TECHNOLOGIES Pvt. Ltd.		FINISH : - - - -		SUR AREA: - - - - In sqr.mm
GENARALTOLERANCES : X: ± 0.25 .X: ± 0.1 .XX: ± 0.01		TITLE: HEAT SINK-Q7 SOM		REV: 5.1 REL: 2.0
NOTES: ALL DIMENSIONS ARE IN MM. ROUND OFF ALL SHARP EDGES. SCALE: - -		DATE : 14/11/2017		SHEET 1 OF 2



AVAILABLE HEAT SINK PART NUMBERS

SL NO	PRODUCT PART NO	DESCRIPTION	THERMAL GAP PAD	REMARKS
1	iW-HSKALU-CLASLR-Q705	RENESAS Q7 SOM HEAT SINK	0.5 mm, Si ELASTOMER	
2	iW-HSKALU-CLASLR-Q704	LIDDED & PMIC i.MX6 Q7 SOM HEAT SINK	1.0 mm, Si ELASTOMER	
3	iW-HSKALU-CLASLR-Q703	NON-LIDDED & PMIC i.MX6 Q7 SOM HEAT SINK	1.5 mm, Si ELASTOMER	
4	iW-HSKALU-CLASLR-Q702	LIDDED & NON-PMIC i.MX6 Q7 SOM HEAT SINK	1.0 mm, Si ELASTOMER	
5	iW-HSKALU-CLASLR-Q701	NON-LIDDED & NON PMIC i.MX6 Q7 SOM HEAT SINK	1.5 mm, Si ELASTOMER	



DRAWN BY	ADARSHA		iWave System Technologies Private Limited, 7/B, 29th Main, BTM Layout, 2nd Stage, Bangalore-560076, India.	
CHECKED BY	ADARSHA			
APPROVED BY	PRADAP		DRAWING NO: iW-HSKALU-CLASLR-Q7xx	
THIS DRAWING SHEET IS PROPERITORY OF IWAVE SYSTEMS TECHNOLOGIES Pvt. Ltd.		MATERIAL : AS PER LIST		WEIGHT: 66.10 In grams.
GENARALTOLERANCES : X: ± 0.25 .X: ± 0.1 .XX: ± 0.01		FINISH : - - - -		SUR AREA: - - - - In sqr.mm
NOTES: ALL DIMENSIONS ARE IN MM. ROUND OFF ALL SHARP EDGES. SCALE: - -				TITLE: HEAT SINK-Q7 SOM REV: 5.1 REL: 2.0
		DATE : 14/11/2017		SHEET 2 OF 2