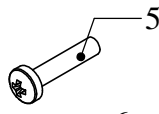
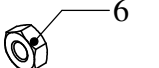
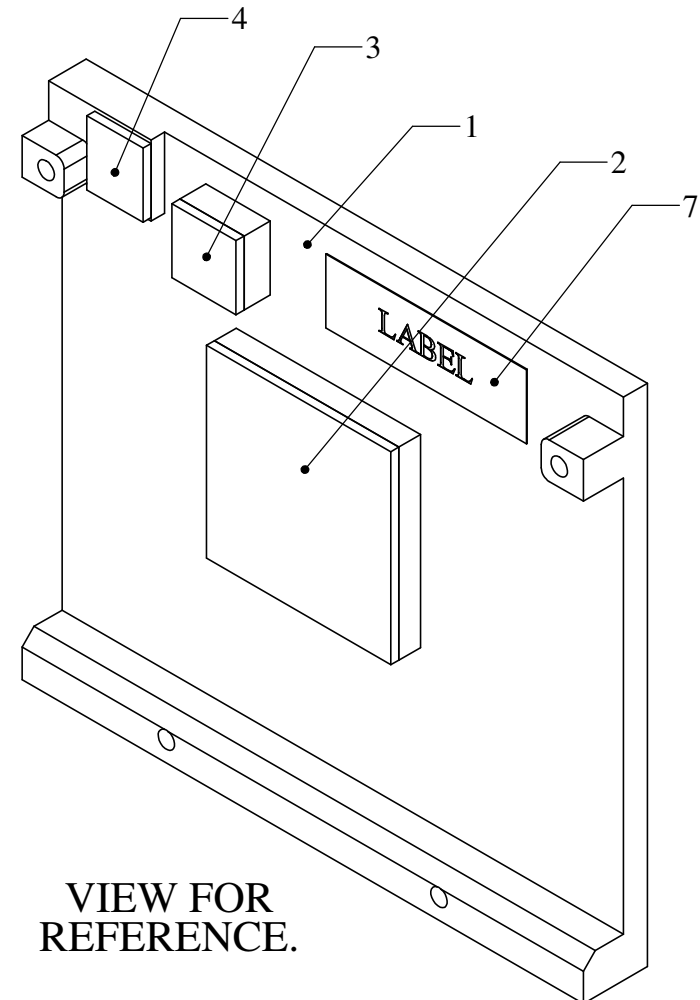
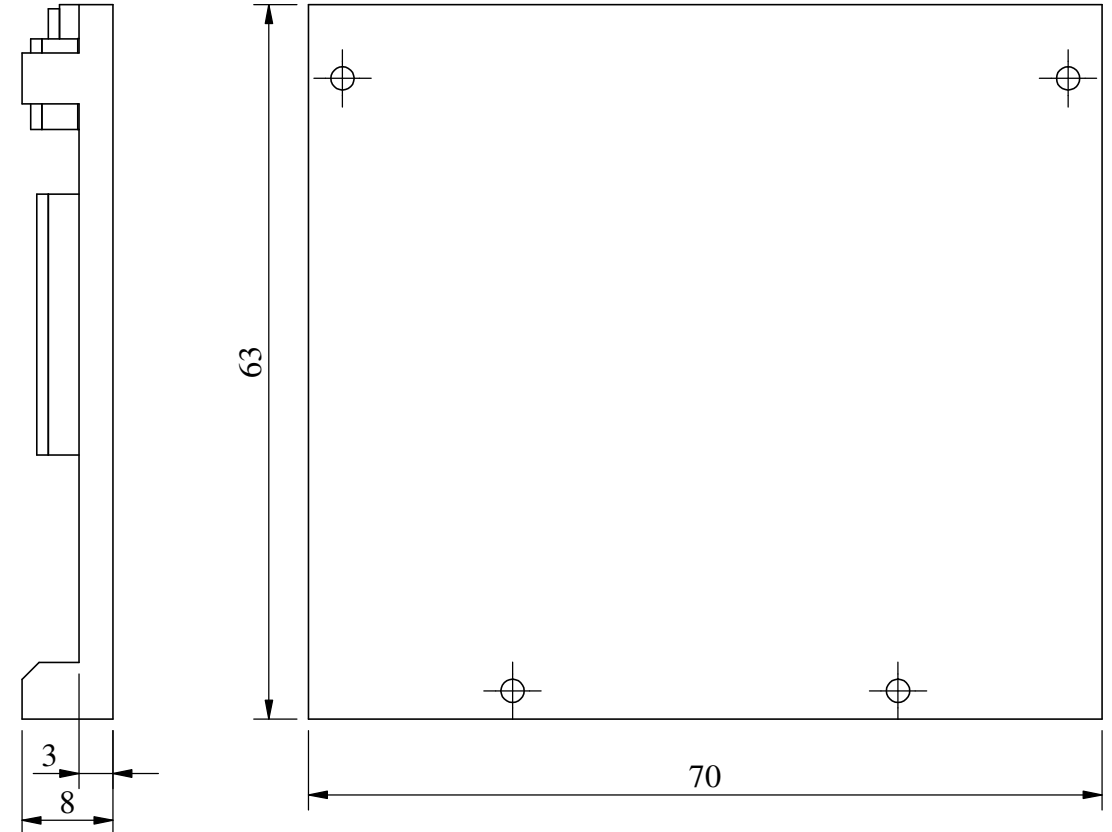
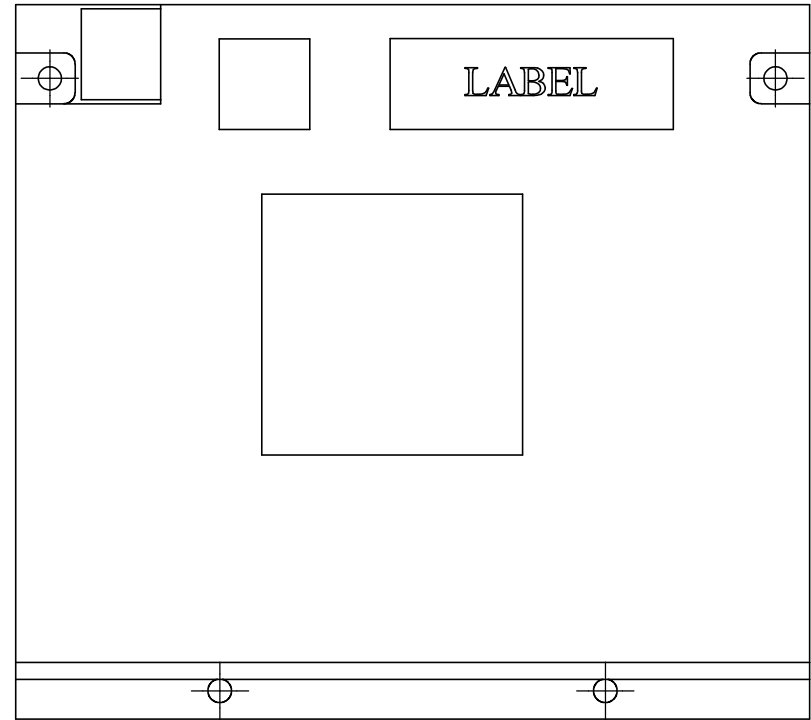



- SCREW BAG**
- 4x- M2.5x12 SCREW 
 - 4x- M2.5 HEX NUT 



VIEW FOR REFERENCE.

ITEM NO.	PART NUMBER	DESCRIPTION	QTY.
1	iW-PRDVZ-MP-01-R4.0-RELx.x-HS0xx	HEAT SPREADER	1
2	TIM-23mm x 23mm	THERMAL PAD	1
3	TIM-8mm x 8mm	THERMAL PAD	1
4	TIM-8mm x 7mm	THERMAL PAD	1
5	M2.5x12 X REC PAN HEAD SCREW	SCREW	4
6	M2.5 NUT	HEX NUT	4
7	LABEL	LABEL	1

DRAWN BY	SANJAY H	 iWave Embedding Intelligence iWave System Technologies Private Limited, 7/B, 29th Main, BTM Layout, 2nd Stage, Bangalore-560076, India.	
CHECKED BY	SANJAY H		
APPROVED BY	IMMANUEL		
DRAWING NO: iW-HSPALU-CLASLR-Q7xx			
THIS DRAWING SHEET IS PROPERITORY OF iWAVE SYSTEMS TECHNOLOGIES Pvt. Ltd.		MATERIAL : AS PER LIST	WEIGHT: 47.17 In grams.
GENARALTOLERANCES :		FINISH : ----	SUR AREA:---- In sqr.mm
X: ± 0.25		TITLE: HEAT SPREADER-Q7 SOM	REV:4.0 REL: 1.0
.X: ± 0.1		DATE : 24/05/2014	SHEET 1 OF 1
.XX: ± 0.01			

NOTES:
 ALL DIMENSIONS ARE IN MM.
 ROUND OFF ALL SHARP EDGES.
 SCALE: - -

