

The **iW 82XXG1** Single Board Computer is designed using the Motorola Power PC MPC 82xx Power QUICCII derivatives. This utilizes all the features of the Power QUICCII technology that facilitates very complex high-end communication, high end networking, Fiber optics, Routers, etc., All peripheral signals (FCC, SCC, TDM, I2C, Utopia Interface) and processor signals (data, address, 60x, and memory control signals) are available through two 200-pin connectors. FPGA support is available for any specific application.

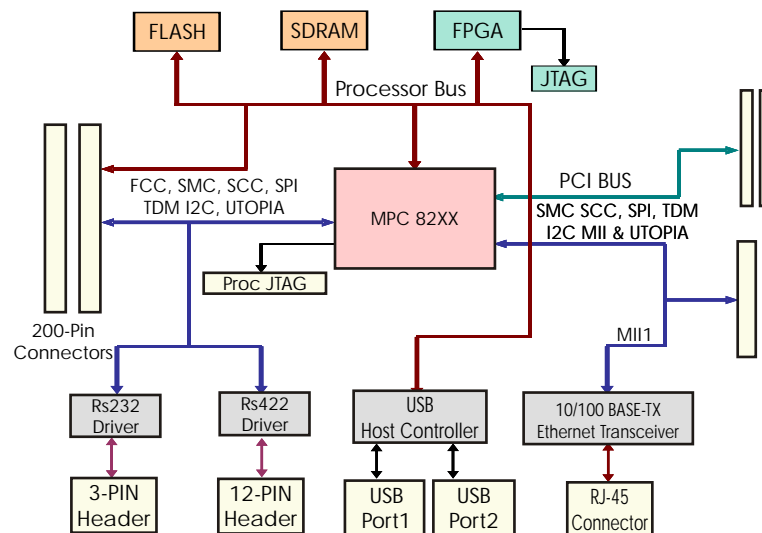
Features

- ◆ Motorola Power PC 82xx CPU
 - ▶ 66 MHz Operating Frequency
 - ▶ 300 MHz Core Frequency
- ◆ Multiple Communication Interfaces
 - ▶ RS 232 and RS 422 Serial Port
 - ▶ 10/100 Ethernet Port
- ◆ Flexible Memory Options
 - ▶ 1MB Flash Memory expandable to 8MB
 - ▶ 64 MB SDRAM expandable to 128MB
- ◆ Software
 - ▶ OS Support: Embedded Linux
- ◆ On-board JTAG connectors
- ◆ Detailed User Manual



Optional Deliverables

- ◆ USB Host Controller with two downstream Ports
- ◆ Expansion Bus Connectors
- ◆ 32 bit, 66 MHz PCI 2.2 compliant on-chip PCI Controller
- ◆ Enclosure with Power Supply & Serial Cable
- ◆ Other OS Support: VxWorks, eCOS, etc



About Us

iWave Systems Technologies is an embedded Hardware and Software Turnkey Design Services company, focused on providing integrated solutions for developing innovative products and systems in the areas of Communication, Consumer electronics and Multimedia. **iWave** offers complete turnkey solutions for systems engineering and product development.

India :

iWave Systems Technologies Pvt. Ltd.,
7/B, 29th Main, BTM Layout 2nd Stage,
Bangalore 560 076. INDIA.
Ph : +91-80-26683700, 26786245
Fax : +91-80-26685200
Email : mktg@iwavesystems.com
Web : www.iwavesystems.com

Japan:

iWave Systems Technologies, 108-0023,
Tokyo, Minato-Ku, Shibaura 3-13-3,
Shibaura SEC Building, 6th Floor, Japan
Ph : +81-3-5765-5125
Fax : +81-3-5765-5126
Email: jp-mktg@iwavesystems.com
Web: www.iwavesystems.com/japan