

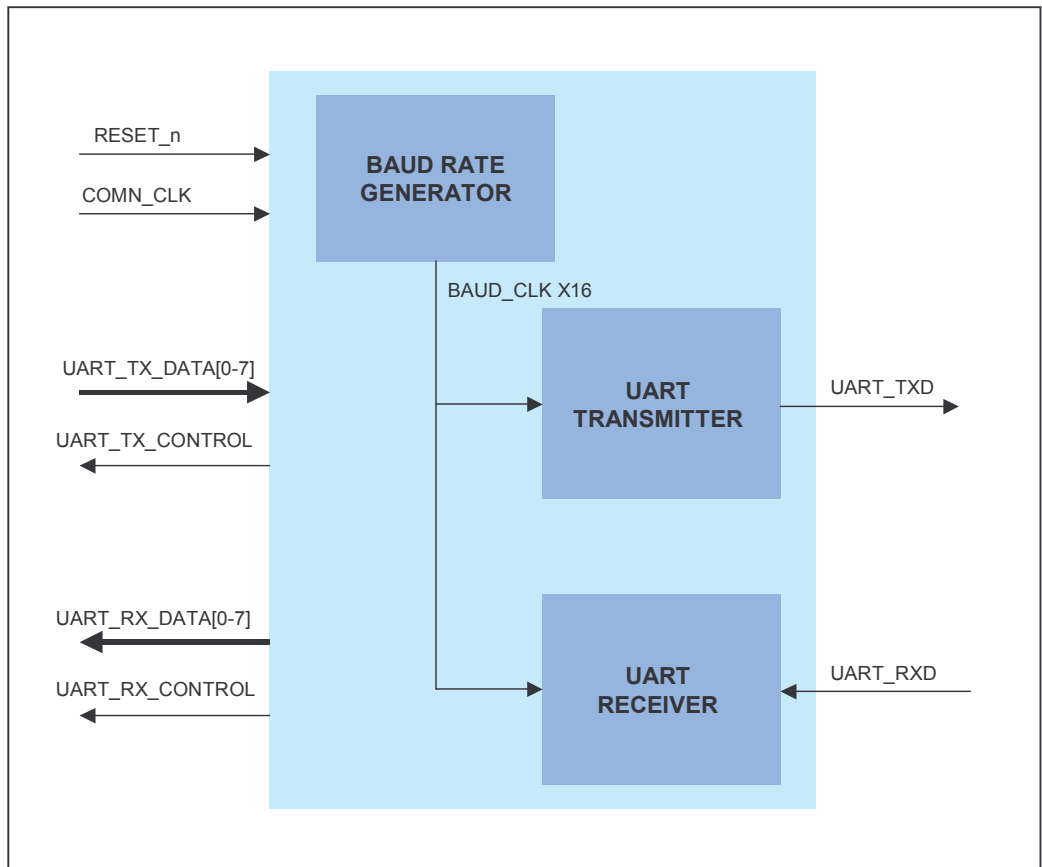
## Overview

The UART Controller defines the interface of communication ports to the processor. This module will do the protocol handling of asynchronous RS232 port. Read and write buffers will be implemented in this controller. The data, which has to be transmitted, is stored in write buffer by the processor and the data received is read from the read buffer.

## Features

- ◆ Programmable baud rate generator
- ◆ Odd parity error check.
- ◆ Supports 8-bits of data
- ◆ Synthesisable RTL code.
- ◆ Available in verilog version.

## Block Diagram



# iWUARTG1 – UART Controller



## Benefits

- ◆ Eases Soc integration
- ◆ Configurable for ease of use

## Applications

- ◆ 60X processors based communication controllers
- ◆ Interface to industry standard UART controllers

## Deliverables

- ◆ Technical Specification
- ◆ RTL Verilog Synthesisable Code
- ◆ Comprehensive Test Environment
- ◆ Technical Support and Maintenance

## About Us

iWave Systems Technologies is a Technology oriented organization specialized in Embedded Hardware and Software Turnkey Design Services. Since its inception in 1999, iWave Systems Technologies has won the confidence of its valuable customers over the globe. We specialize in providing Integrated Solution for developing Innovative products or systems in the areas of Datacom and Multimedia.